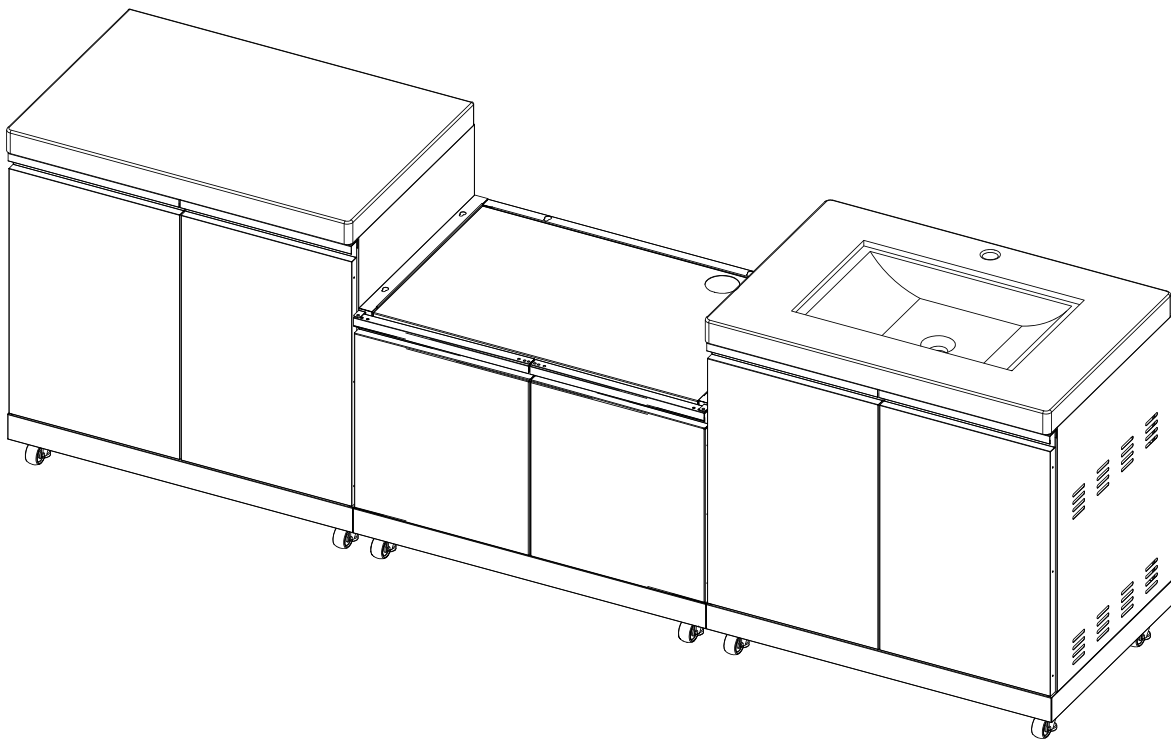




CROSSRAY GAS KITCHEN PRODUCT INSTALLATION MANUAL 2B + 4B SERIES



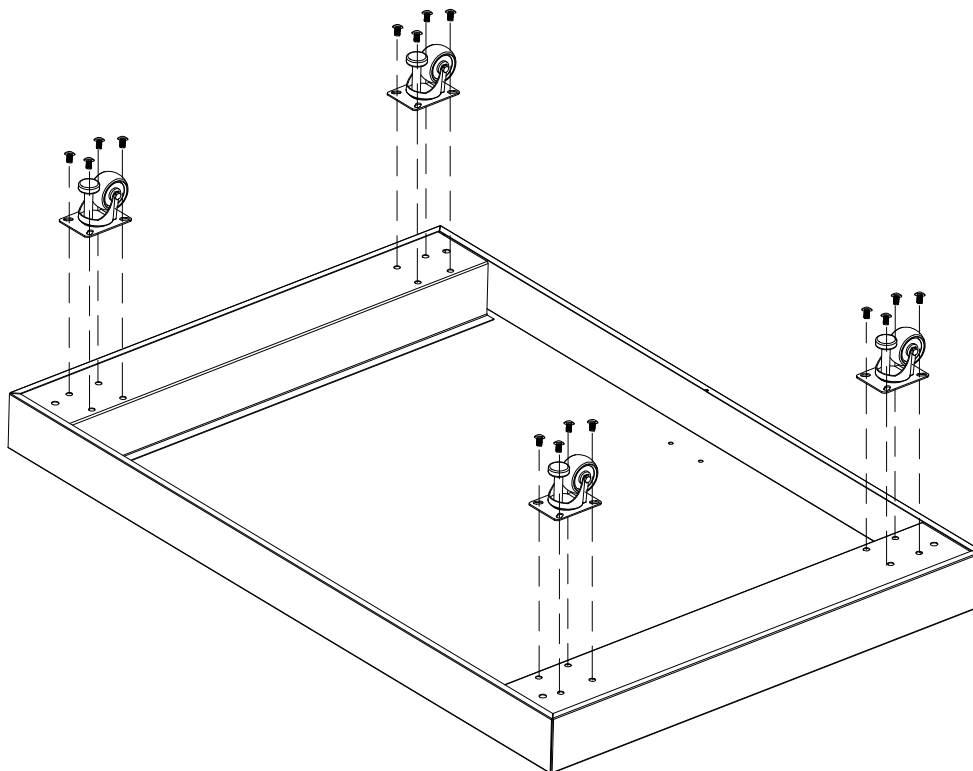
crossray.com.au | 03 9562 3455 | sales@crossray.com.au

ASSEMBLY - Side Cabinets

1 Install Casters.



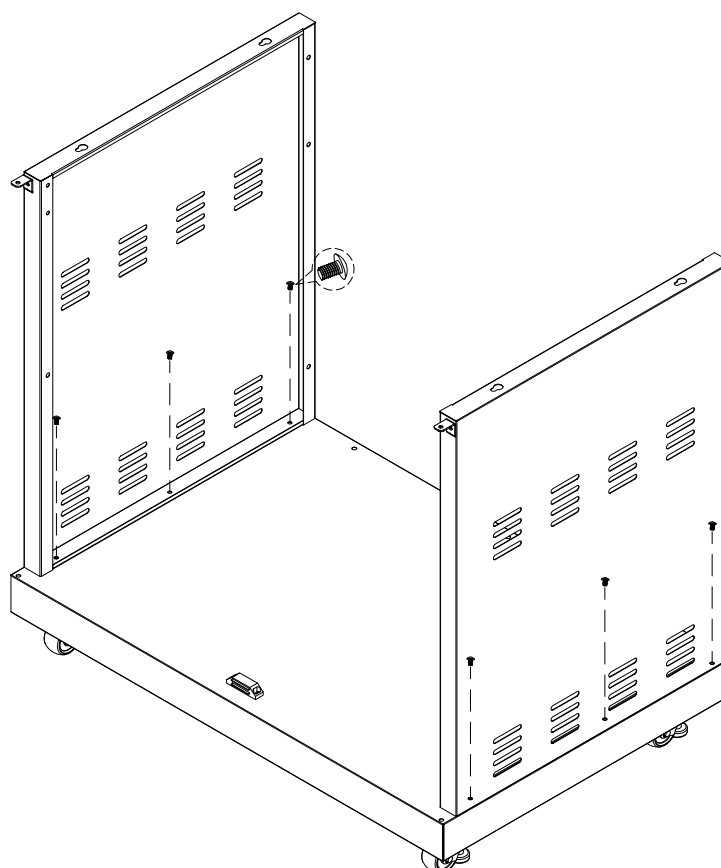
Phillips Head Screw 3/16"x3/8"
Qty.16



2 Install Trolley side panels.



Phillips Head Screw 3/16"x3/8"
Qty.6



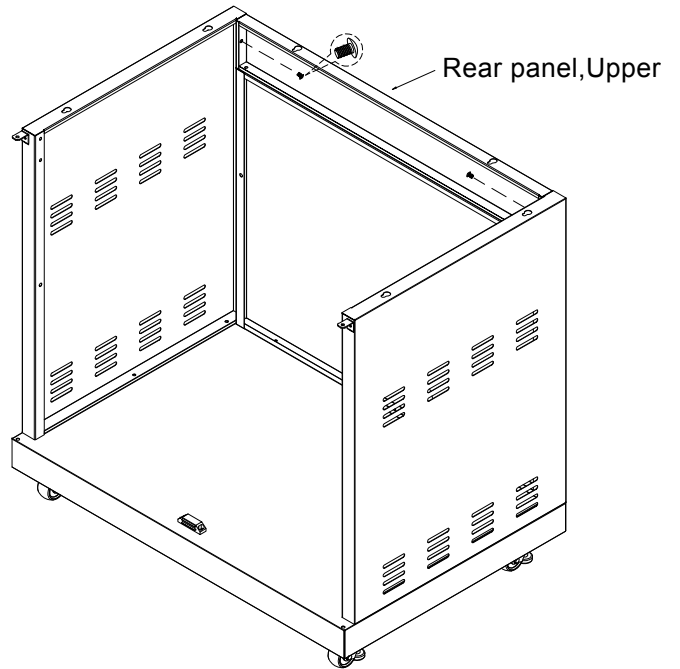
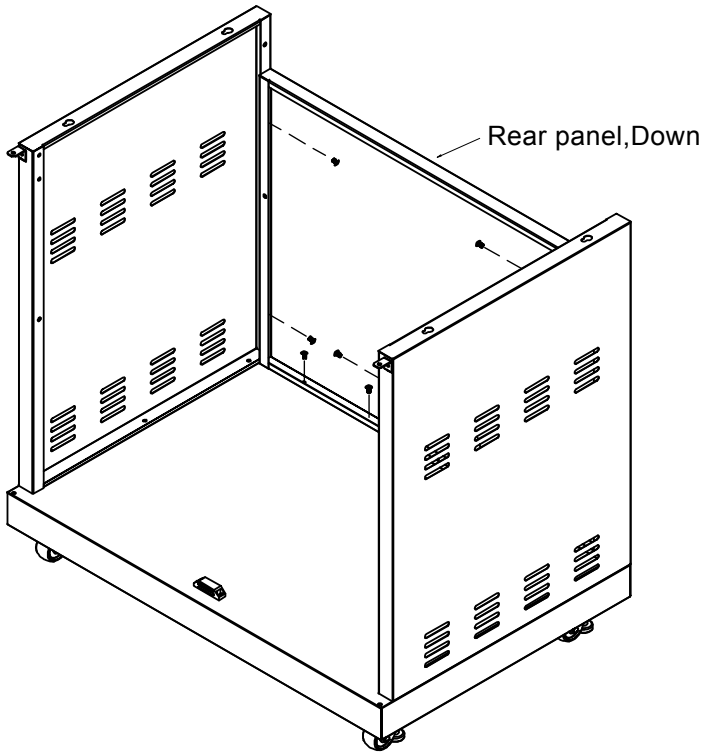
3

Install Trolley Rear panel.



Phillips Head Screw 3/16"x3/8"

Qty.9



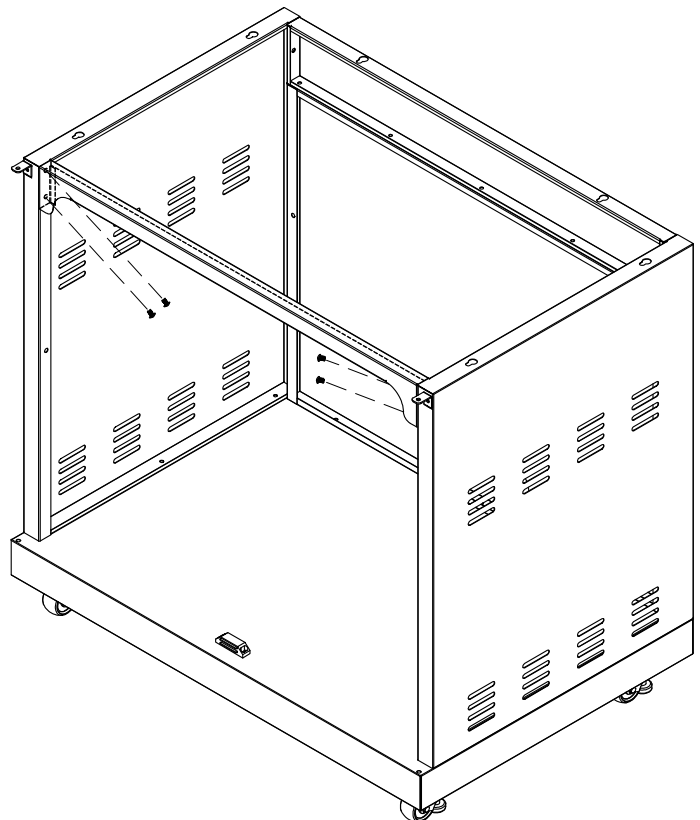
4

Install Door Bracket.



Phillips Head Screw 3/16"x3/8"

Qty.4

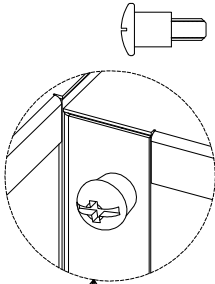


5

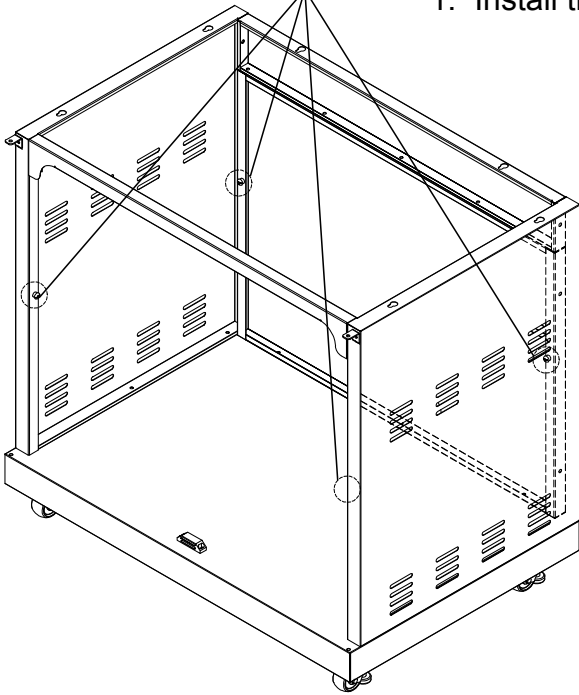
Install middle panel.



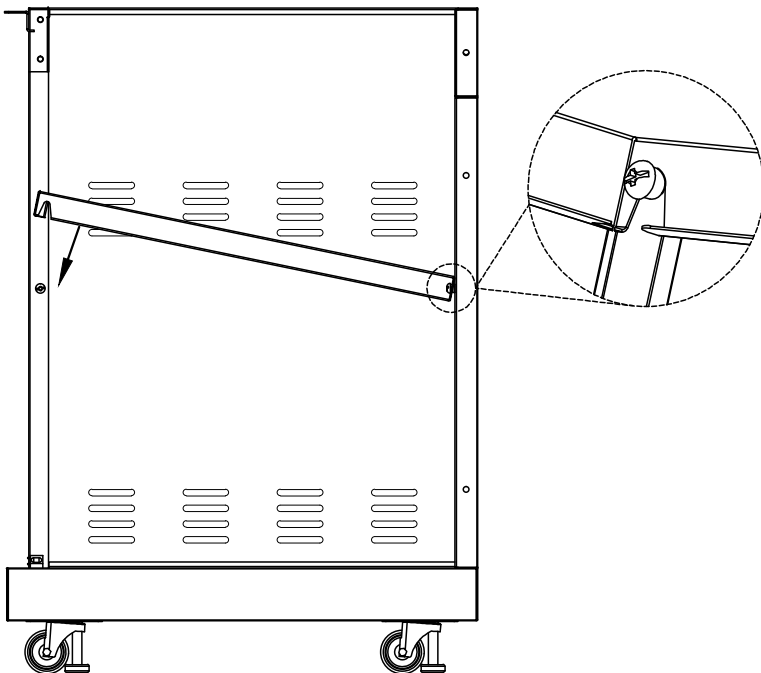
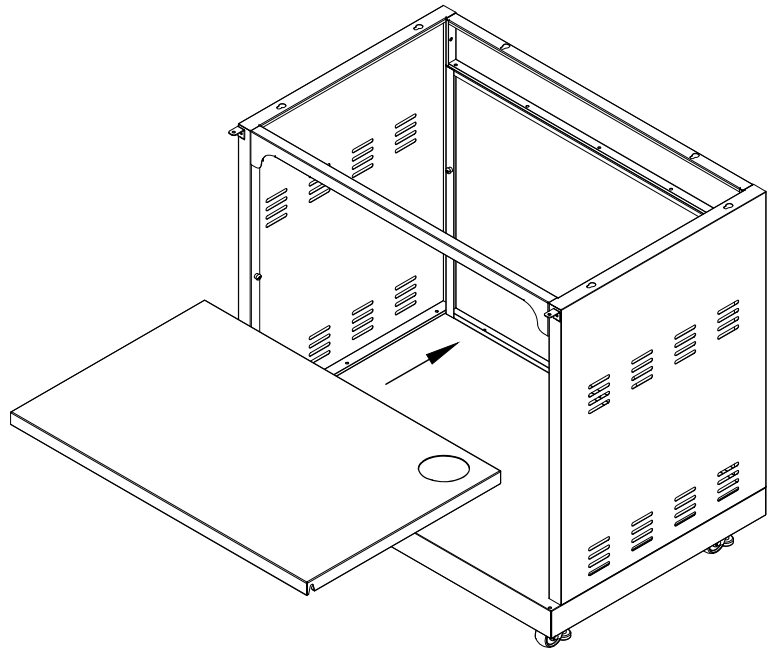
Double screw 3/16"x3/8"
Qty.4



1. Install the screws.



2. Slide in the middle panel.



6 Install countertop.

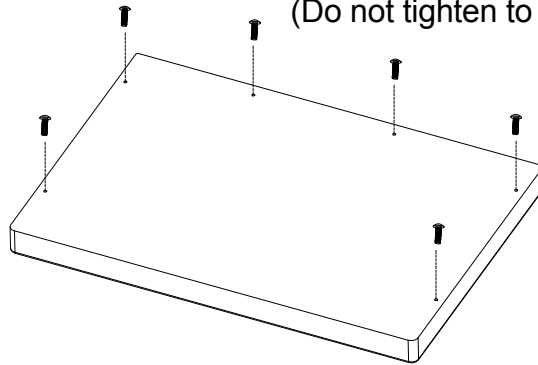


Phillips Head Screw M6X20

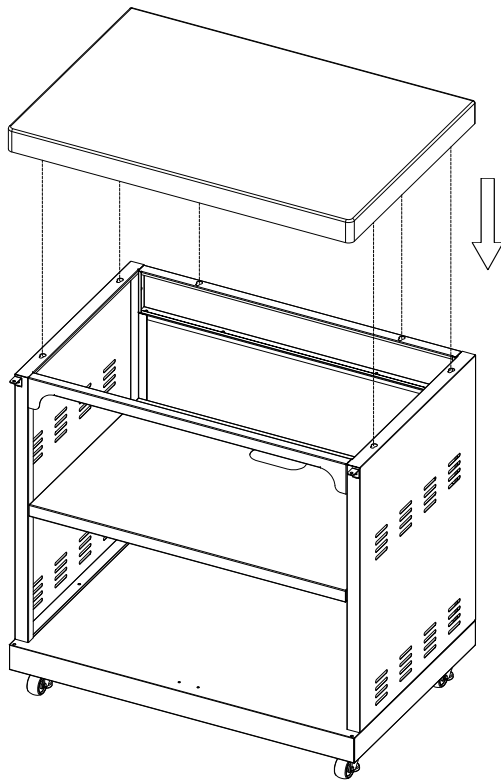
Qty.6

1. Pre-install the screws partially on the underside of the benchtop

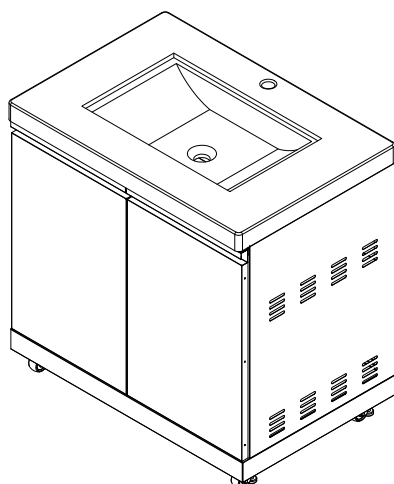
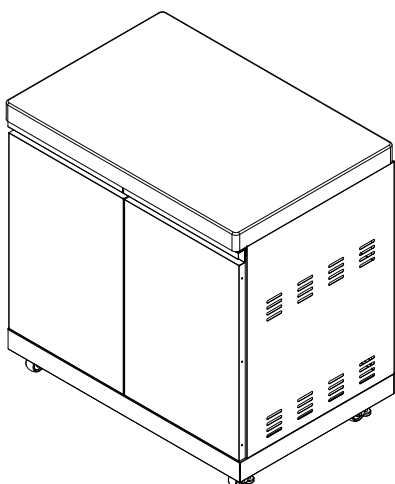
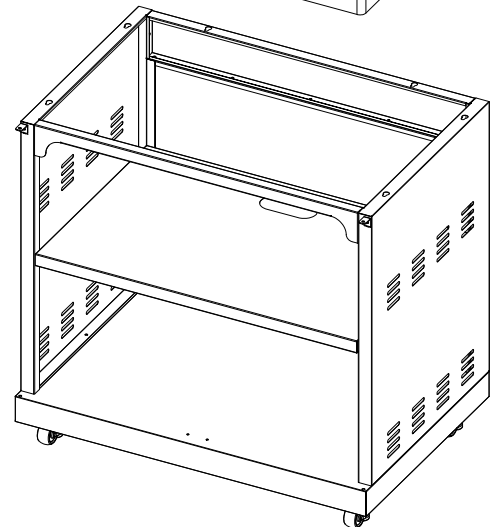
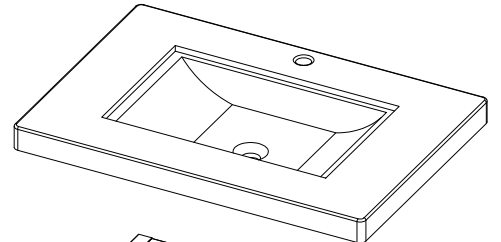
(Do not tighten to the end).



2. Position the pre-installed Screws on the cabinet (**Handle with care**) .



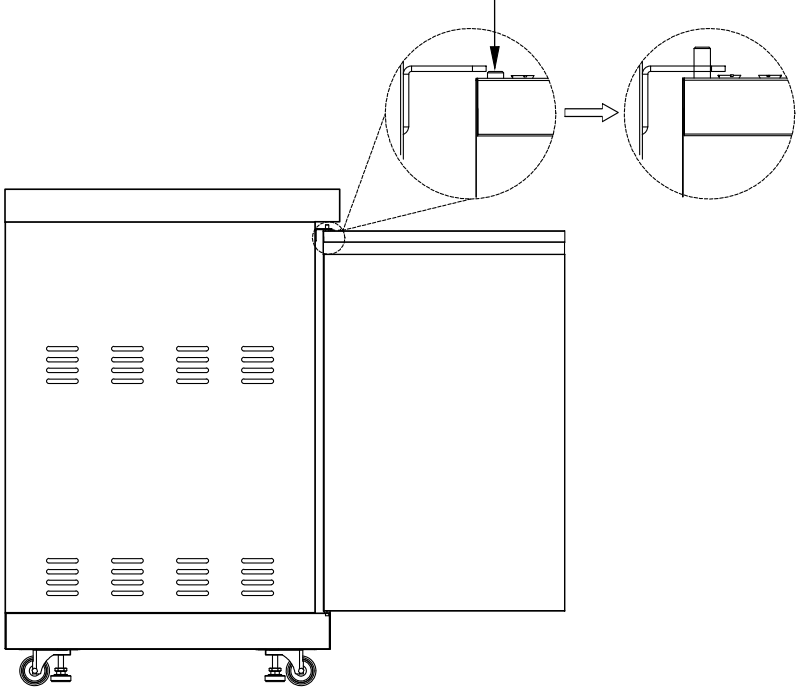
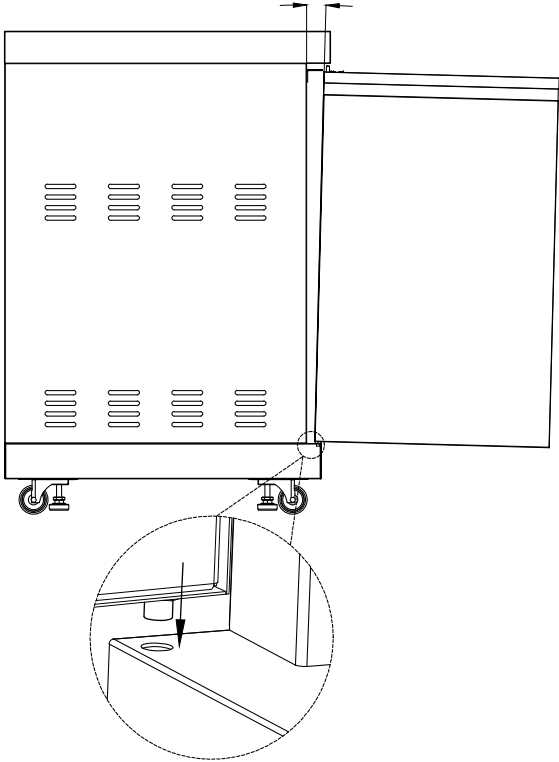
Follow the same instruction to install the sink countertop.



7 Install Door

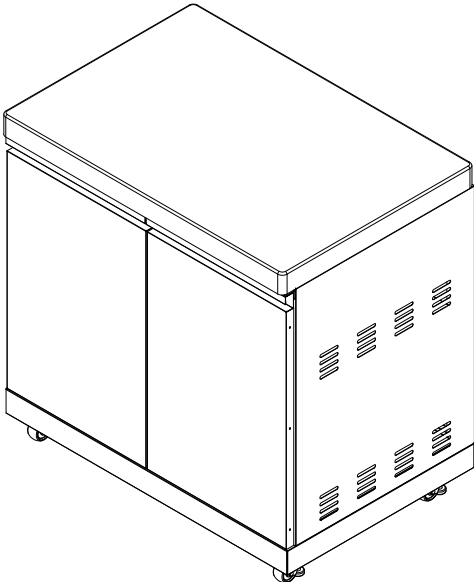
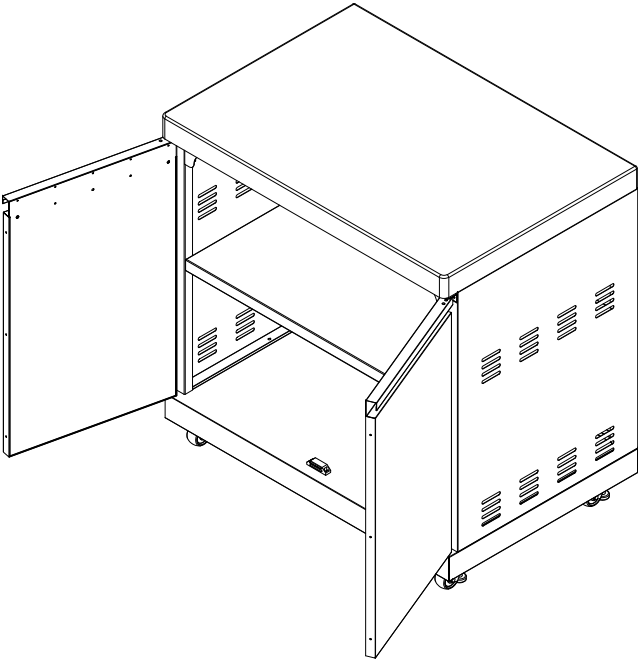
2. Press the latch on the door, and slide the door into the hole when the latch is flush with the door support piece.

Tilt the door to an angle.



1. Tilt the door and insert to the hole on bottom.

finish

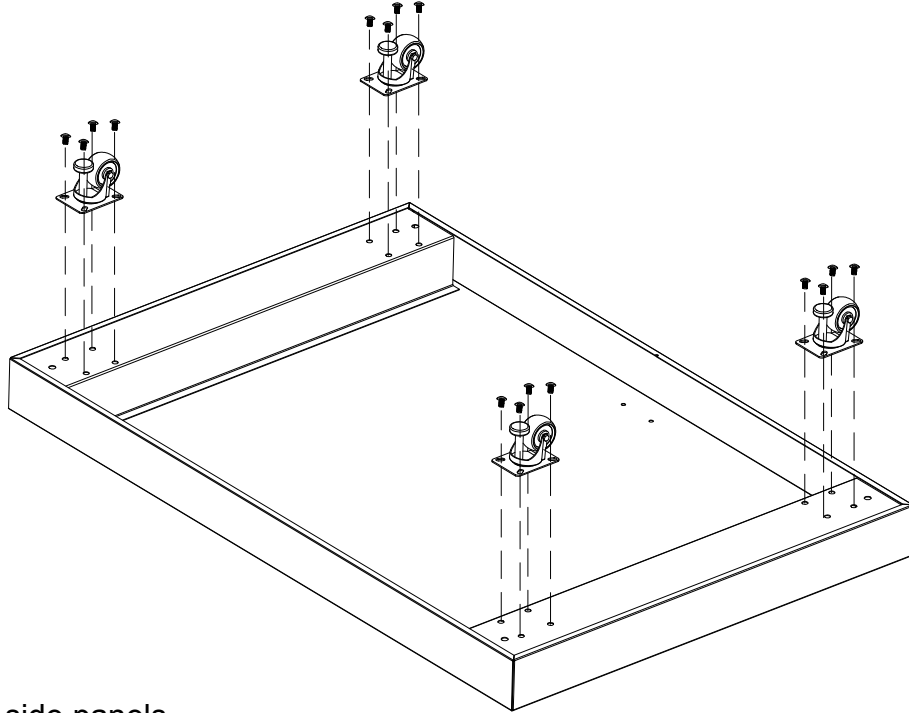


ASSEMBLY - 4B BBQ /2B BBQ cabinet

1 Install Casters.



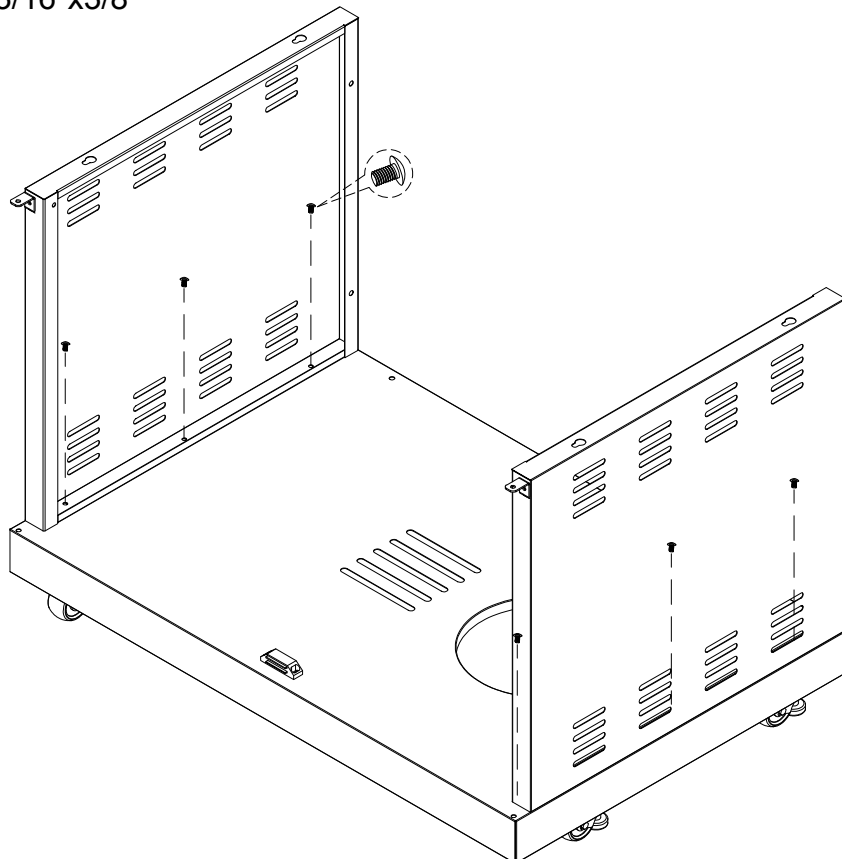
Phillips Head Screw 3/16"x3/8"
Qty.16



2 Install Trolley side panels.



Phillips Head Screw 3/16"x3/8"
Qty.6



3

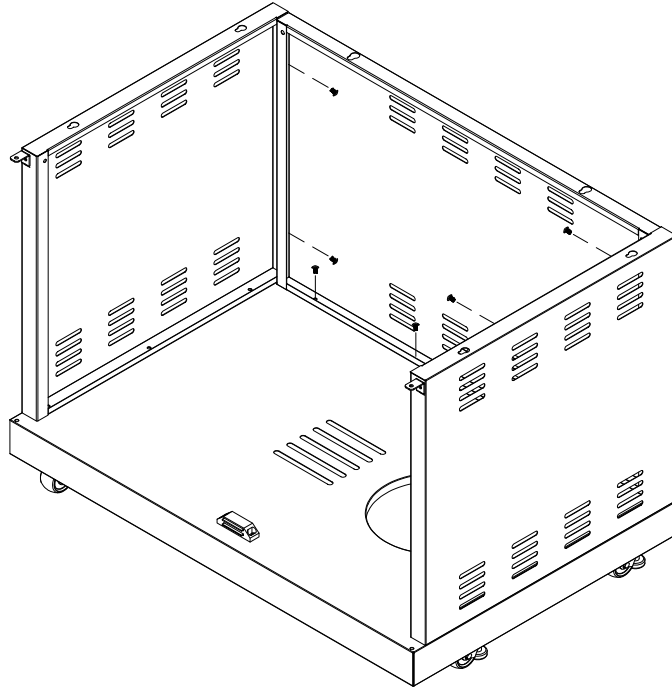
Install Trolley Rear panel.



Phillips Head Screw 3/16"x3/8"

4B-Qty.7

2B-Qty.6



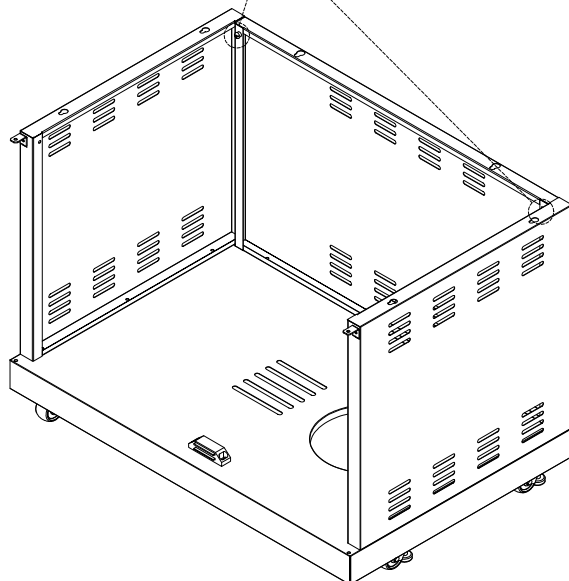
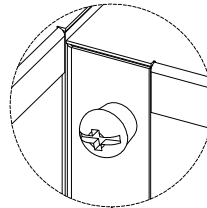
4

Install AGA separation panel .



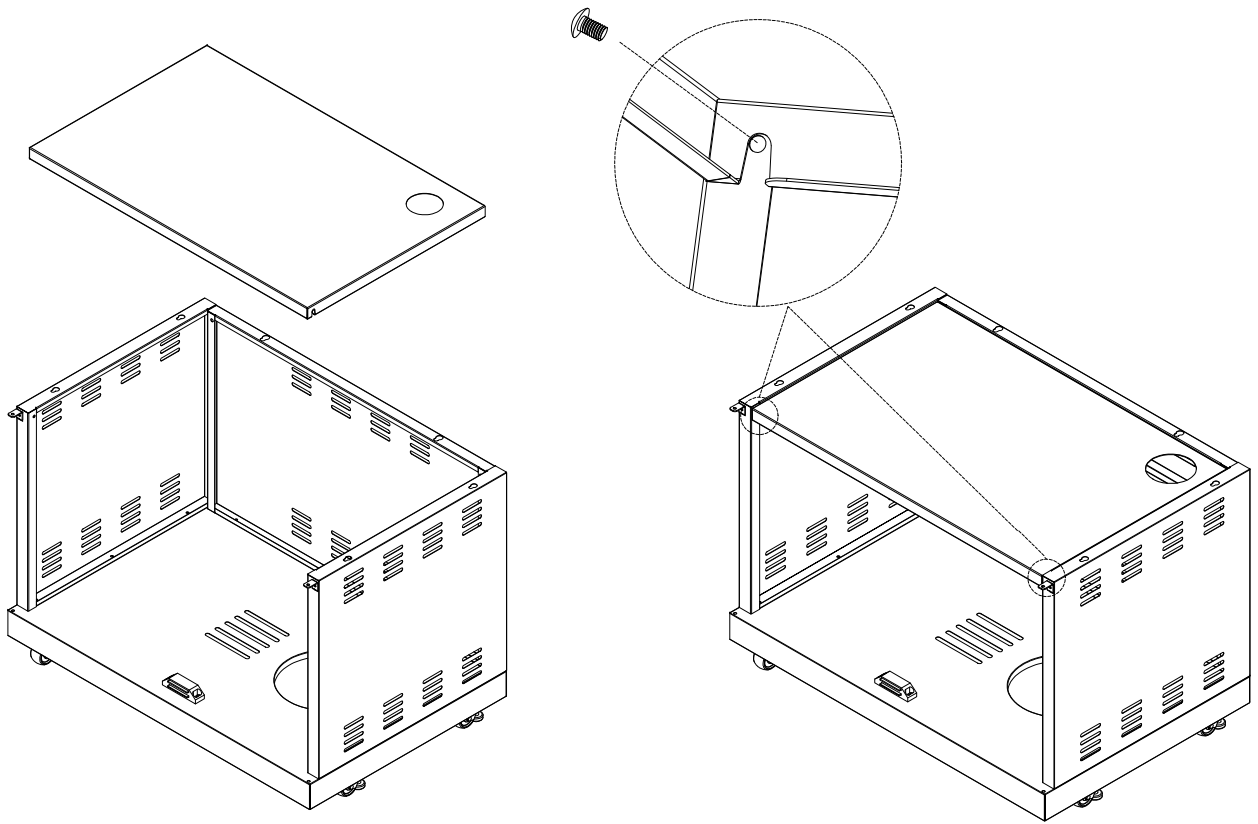
Double screw 3/16"x3/8"

Qty.2



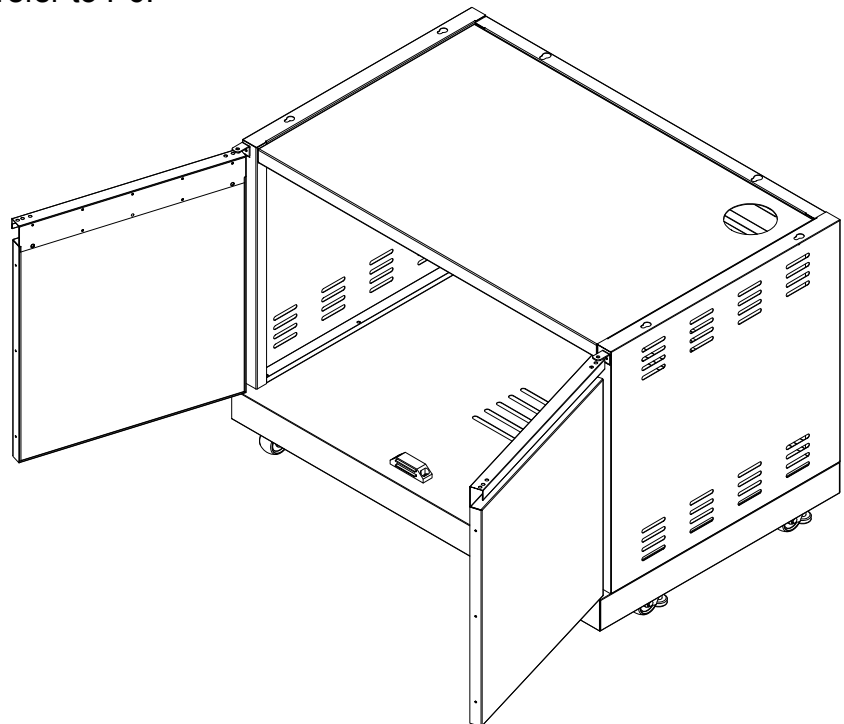


Phillips Head Screw 3/16"x3/8"
Qty.2

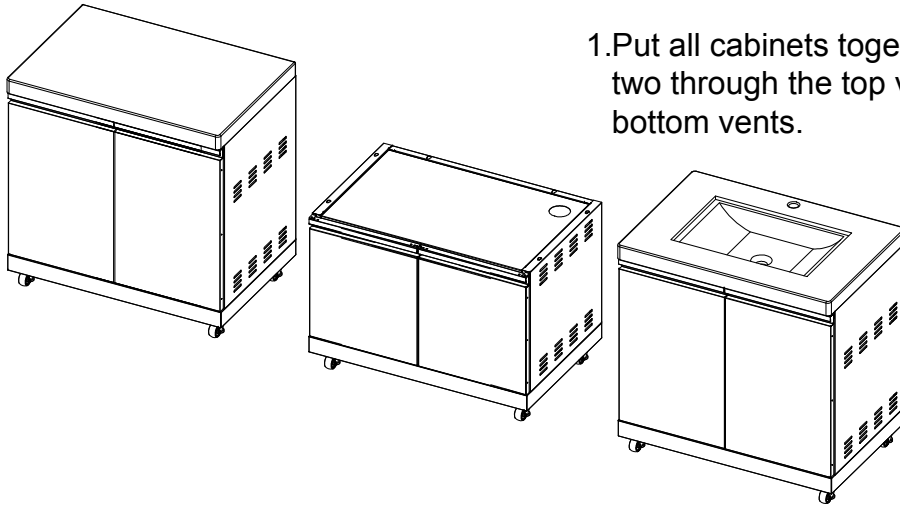


5 Install Doors

Install Door – please refer to P6.



How to attach the cabinets together ?



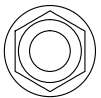
1. Put all cabinets together. There are 4 screws, two through the top vents, and 2 through the bottom vents.



Phillips Head Screw 3/16"x3/8"
Qty.4

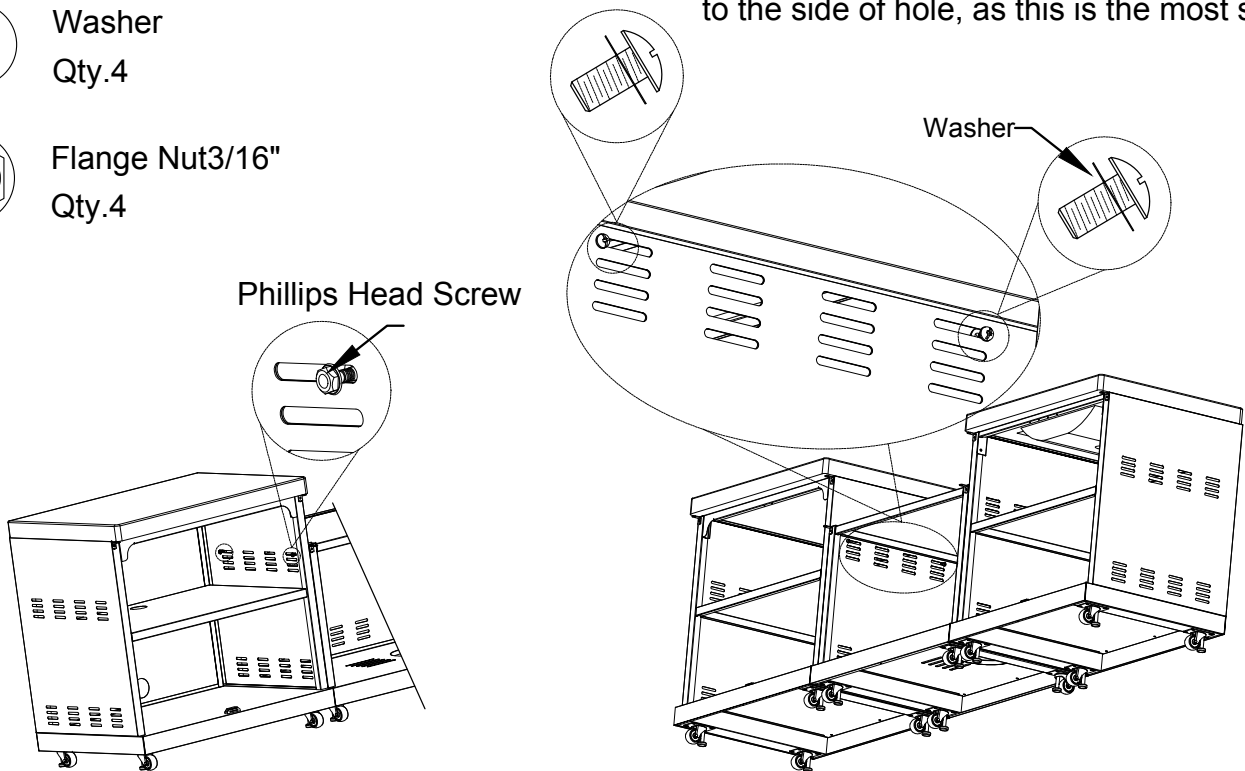


Washer
Qty.4

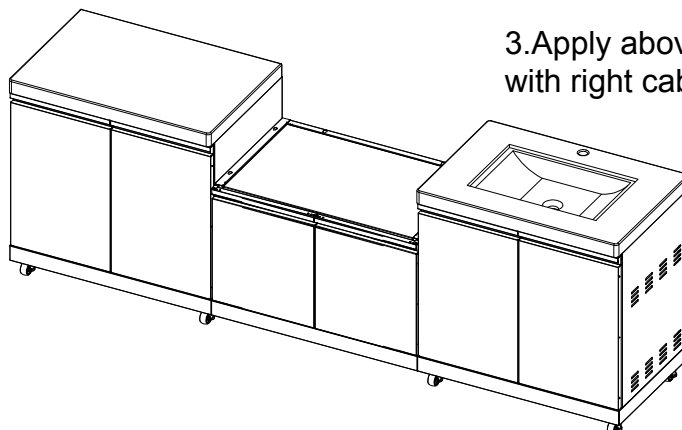


Flange Nut 3/16"
Qty.4

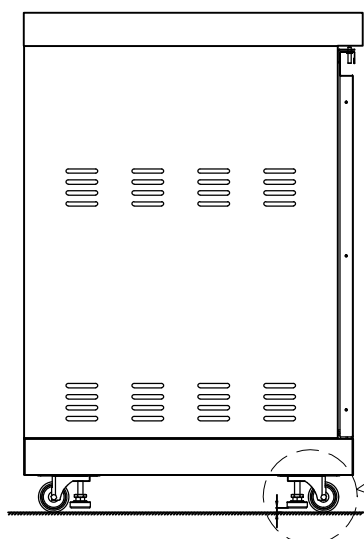
2. Open the door of main cabinet, put 2 screws into the holes to fix with left cabinet as below picture shown, insert the screw close to the side of hole, as this is the most secure.



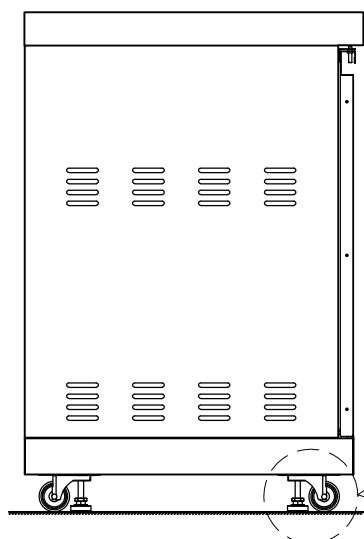
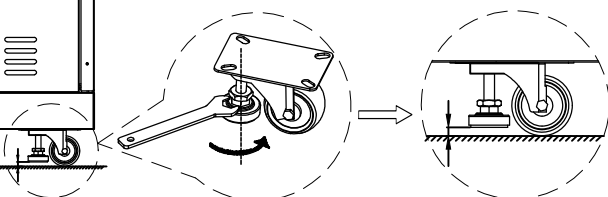
3. Apply above method to fix main cabinet with right cabinet.



How to adjust the height of the caster with leveling glide.

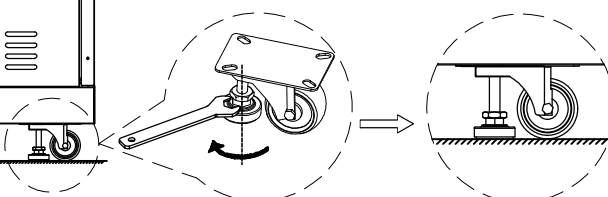


1. When you want to move the cabinet, please lift the leveling glide with wrench as shown on below image (please keep the leveling glide off the floor 3-5mm).



2. When you want to level the cabinets., please use a wrench (not included) to adjust the leveling-caster. The maximum height of adjustment is 5-6mm.

3. We recommend you use a spirit level to ensure the middle BBQ cabinet is level first, then level the side cabinets by adjusting the feet.



Thermofilm Australia Pty Ltd
17 Johnston Court Dandenong South, Victoria, 3175 Australia
t: 03 9562 3455 e: sales@thermofilm.com.au