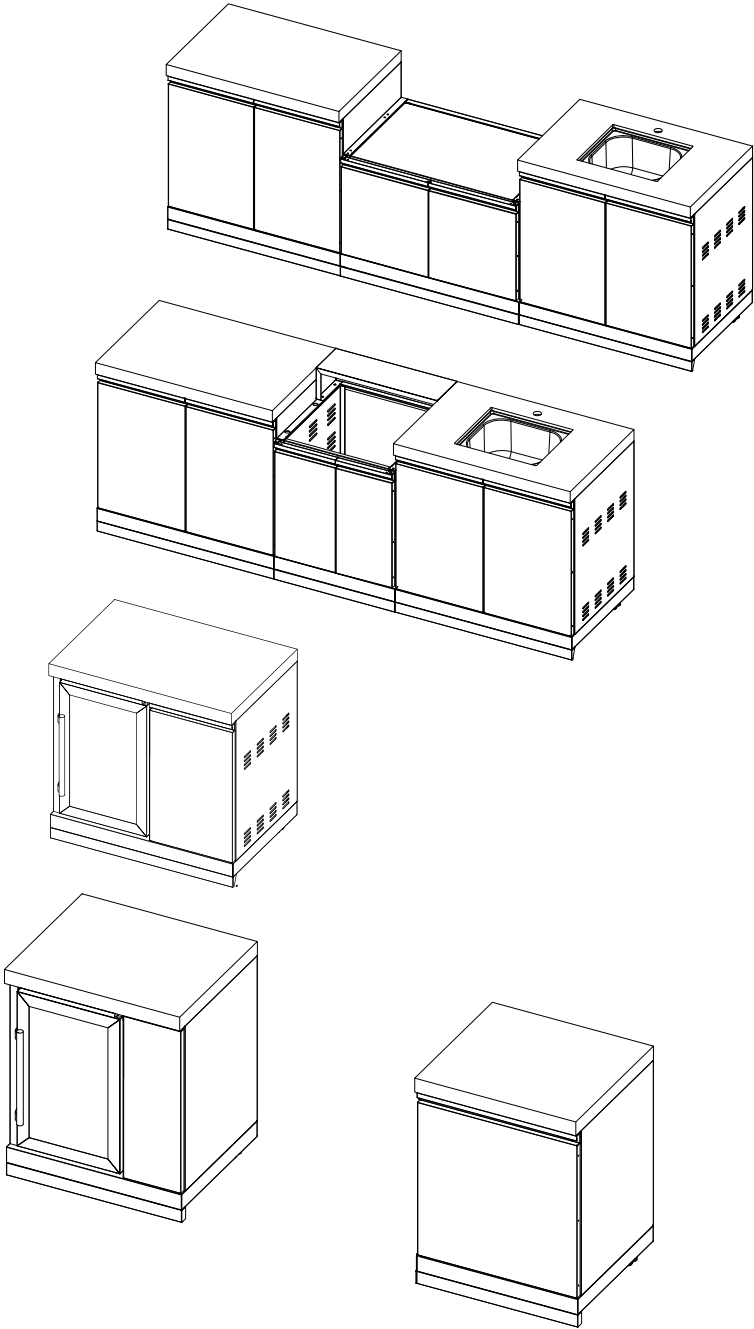




# CROSSRAY KITCHEN PRODUCT INSTALLATION MANUAL



**crossray.com.au | 03 9562 3455 | sales@crossray.com.au**

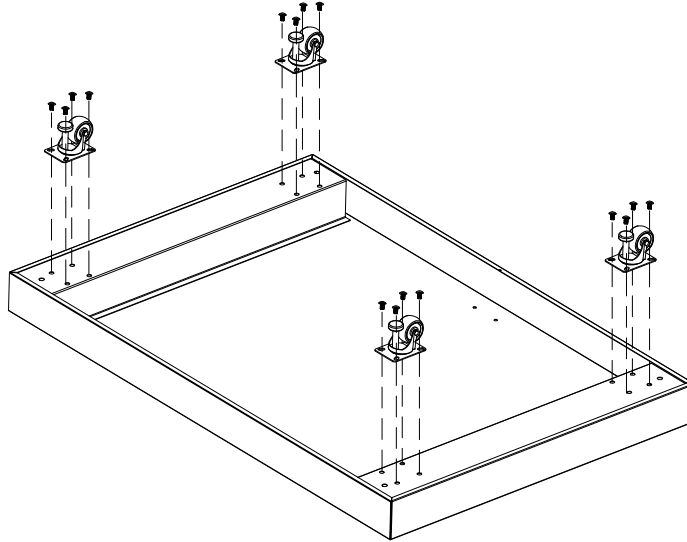
Revision 01/11/2024

## ASSEMBLY - TCK-SIDECAB60-S Side Cabinets

### 1 Install Casters.



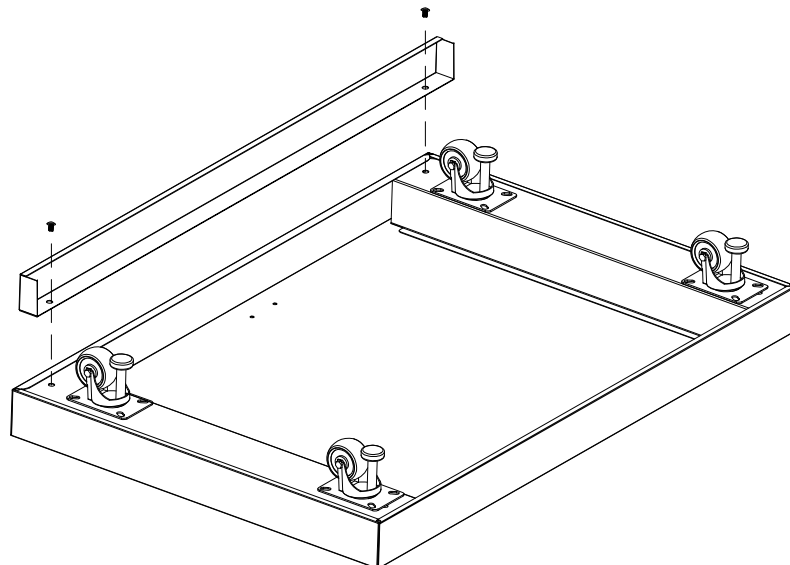
Flat Head Screw 3/16"x3/8"  
Qty.16



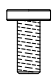
### 2 Install Cart panel.



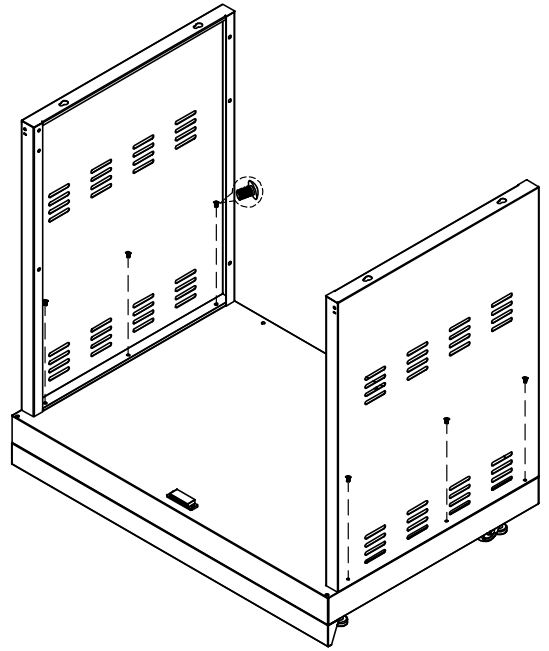
Flat Head Screw 3/16"x3/8"  
Qty.2



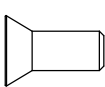
**3** Install Trolley side panels.

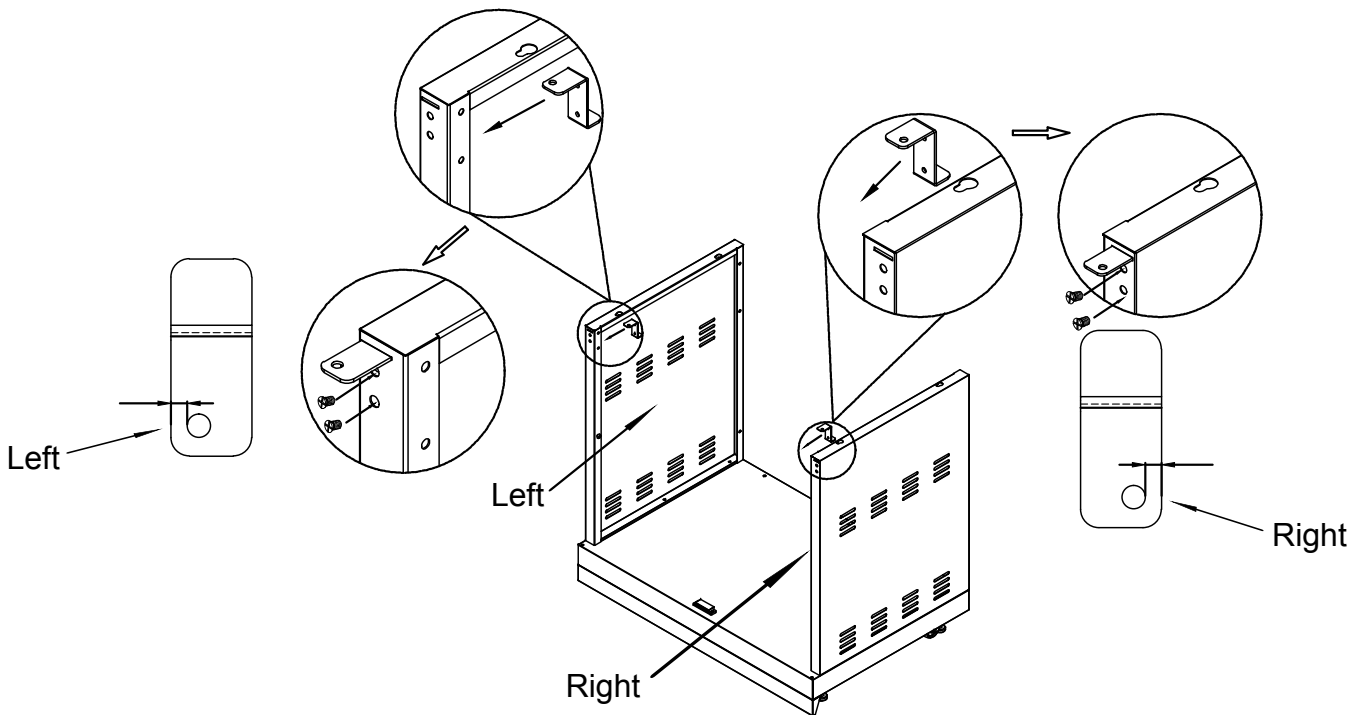
 Flat Head Screw 3/16"x3/8"  
Qty.6

**INSTALL TROLLEY SIDE PANEL—NOTE, SCREWS SHOULD BE FINGER TIGHT UNTIL ALL PANELS ARE LINED UP CORRECTLY. SECURELY TIGHTEN SCREWS WHEN THE CABINET IS FULLY ASSEMBLED AND PERFECTLY ALIGNED.**



**4** Install door Bracket.

 Countersunk flat head screws 3/16" x 1/2"  
Qty. 4

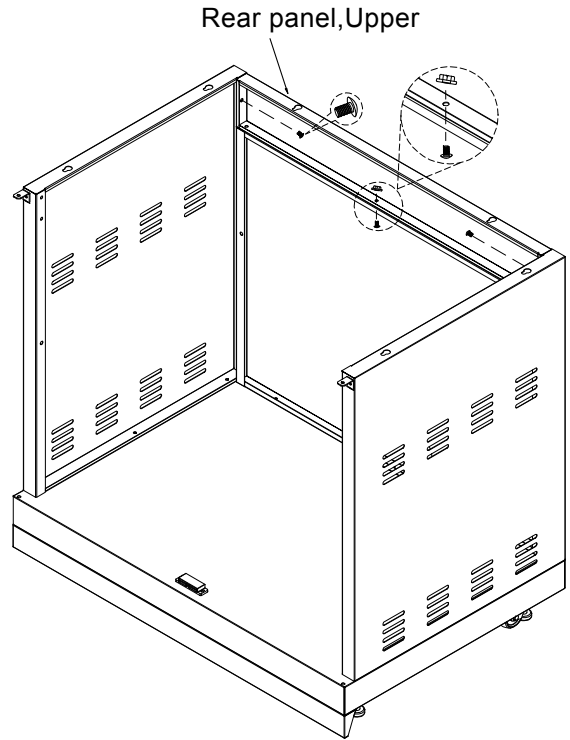
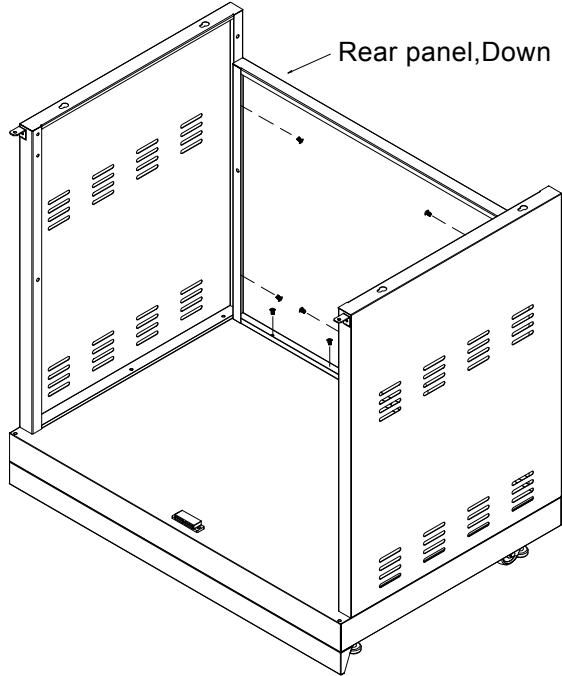


**NOTE**  
The bracket mounting holes are OFF centre.  
Ensure the correct bracket is used for the corresponding side.  
Right hand bracket-right side panel.  
Left hand bracket – left side panel.

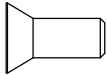
**5** Install Trolley Rear panel.



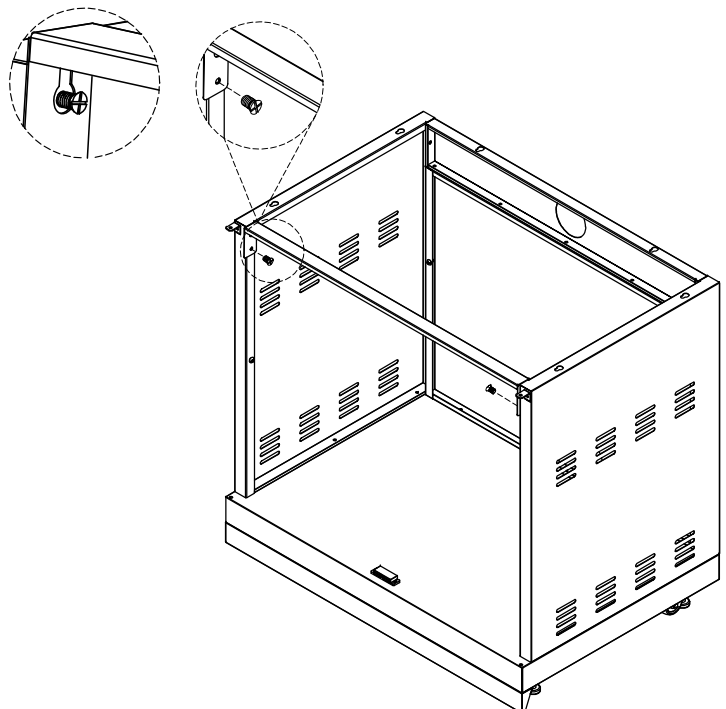
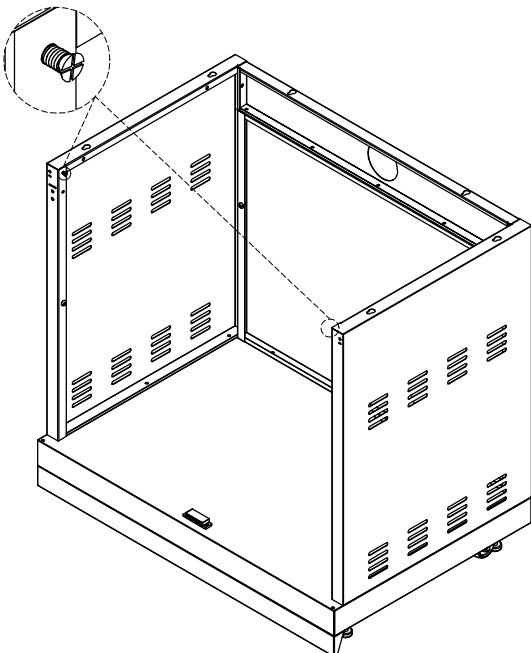
Flat Head Screw 3/16"x3/8"  
Qty.9



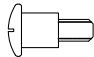
**6** Install Door Bracket.

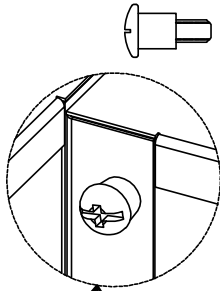


Countersunk flat head  
screws 3/16" x 1/2"  
Qty. 4

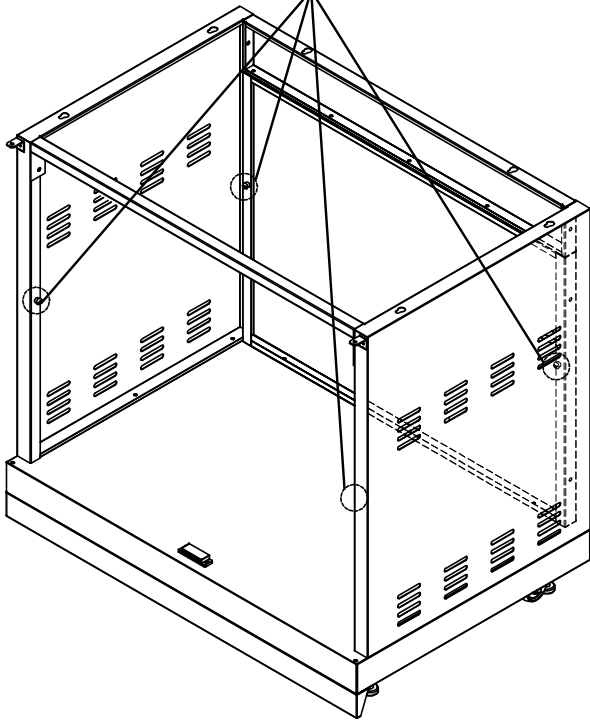


**7** Install middle panel.

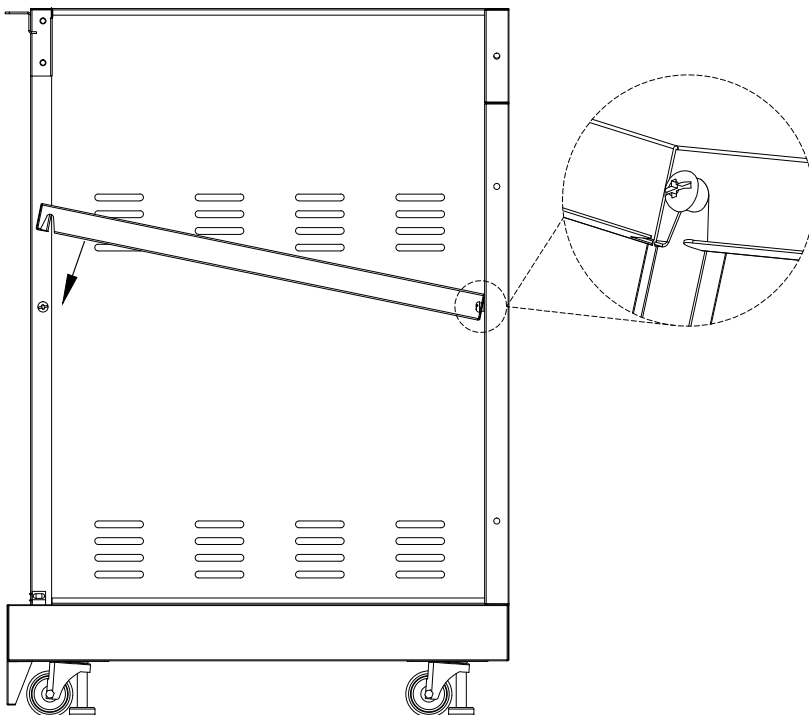
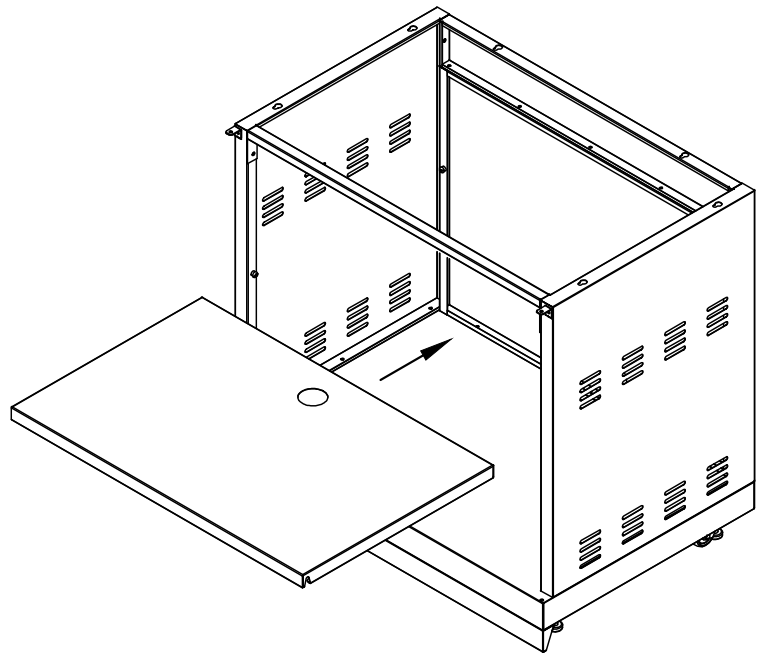
 Bolt 3/16"x8mm  
Qty.4



1. Install the screws.



2. Slide in the middle panel.



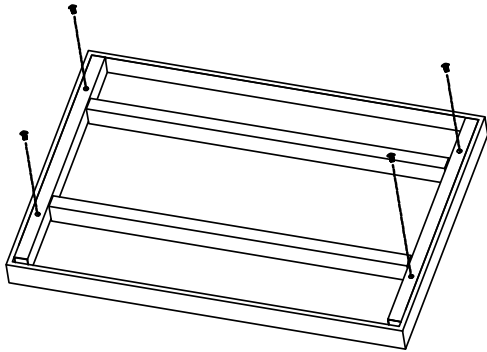
**8****Install countertop.**

Flat Head Screw 1/4X5/8

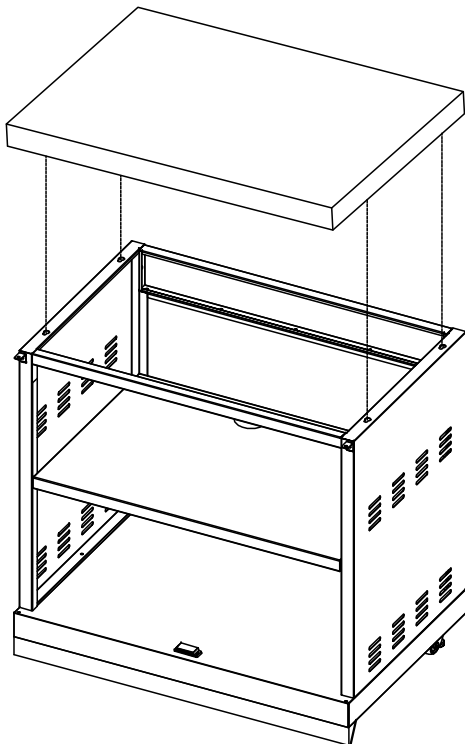
Qty.4

1. Pre-install the screws partially on the underside of the benchtop

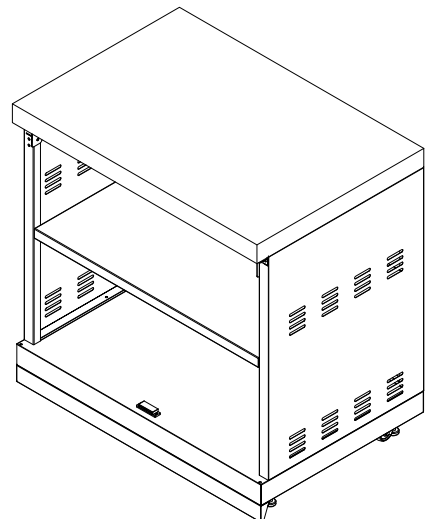
(Do not tighten to the end).



2. Position the pre-installed Screws on the cabinet (Handle with care) .

**NOTE**

The cabinet assembly is still flexible prior to fitting the benchtop, so it is very important to check the doors are properly aligned and level prior to fitting the stone top.

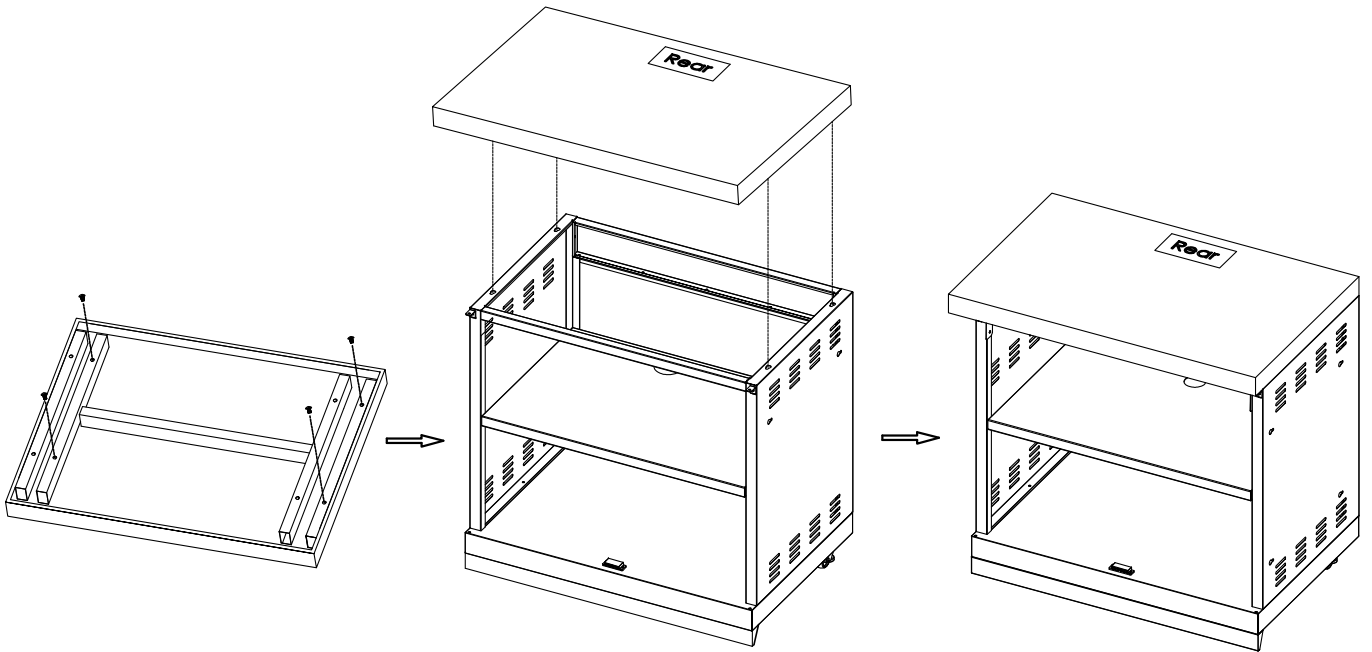


## 8-1 Install countertop.

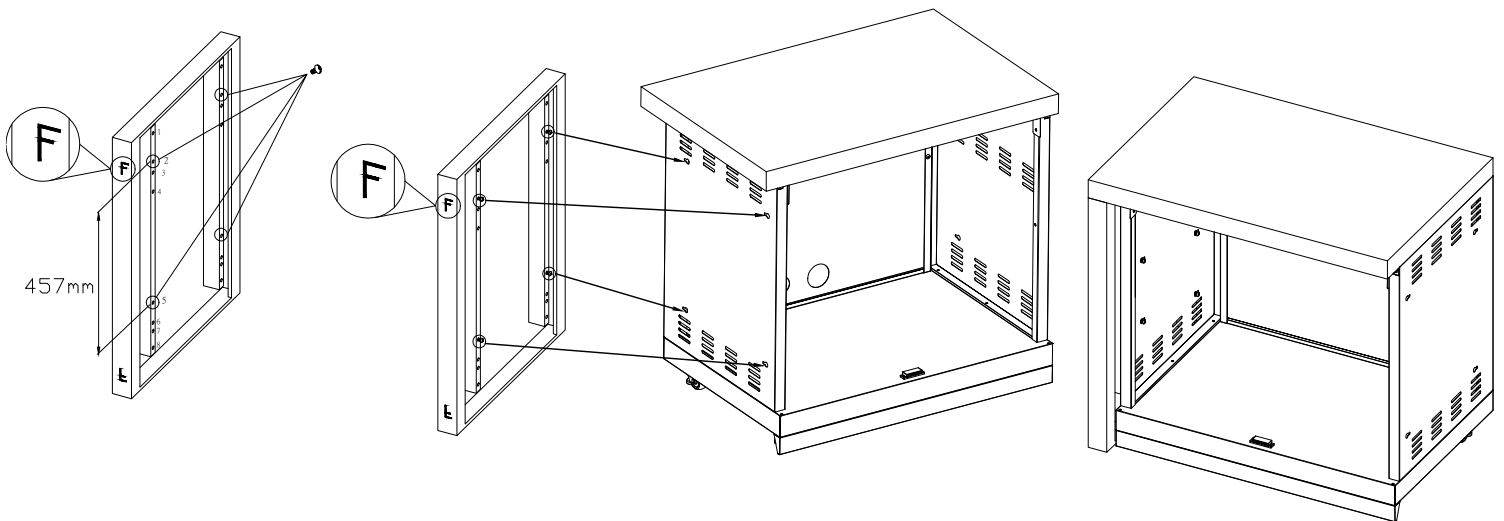


Flat Head Screw 1/4X5/8  
Qty.4

1. Pre-install the screws partially on the underside of the benchtop  
(Do not tighten to the end).

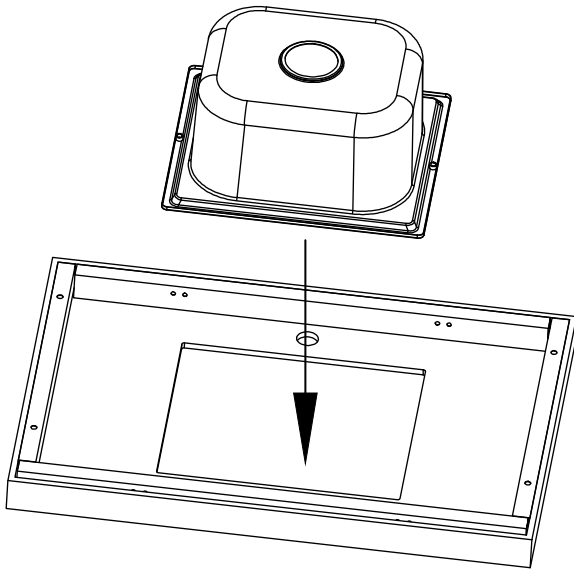


Phillips Head Screw 1/4X5/8  
Qty.4

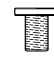


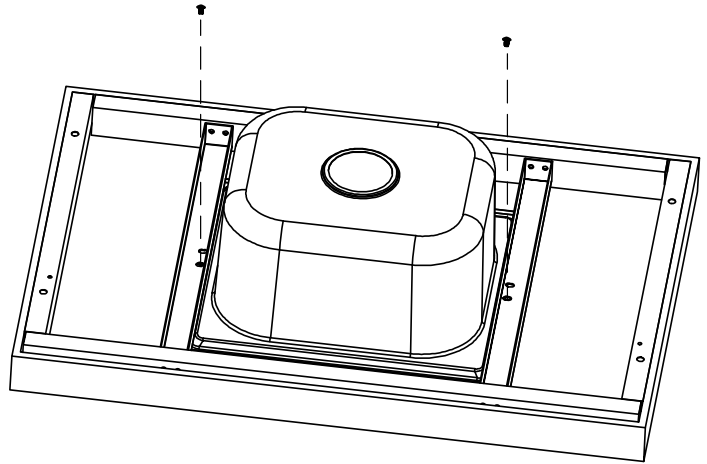
**9**

Install the sink kit.



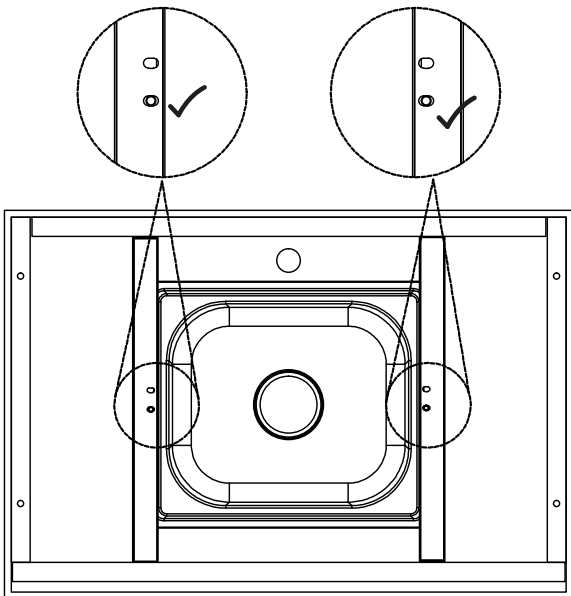
**1**

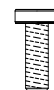
 Flat Head Screw  
3/16"x3/8" Qty.2

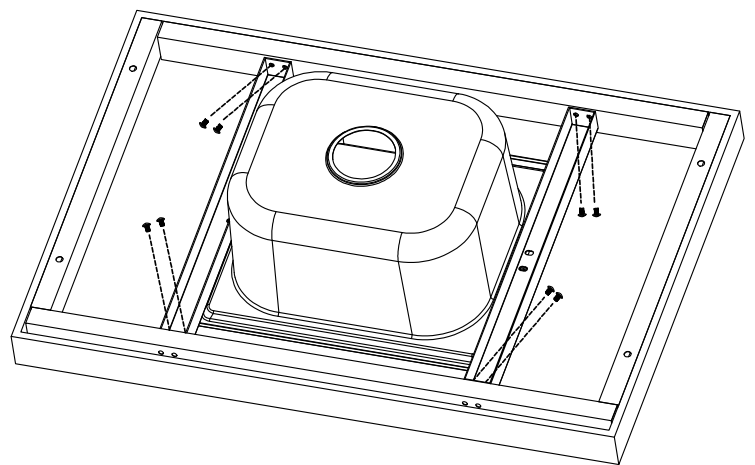


**2**

Please make sure that the brackets are installed per the image shown below



 Phillips Head  
Screw 3/16"x1/2"  
Qty.8



**3**



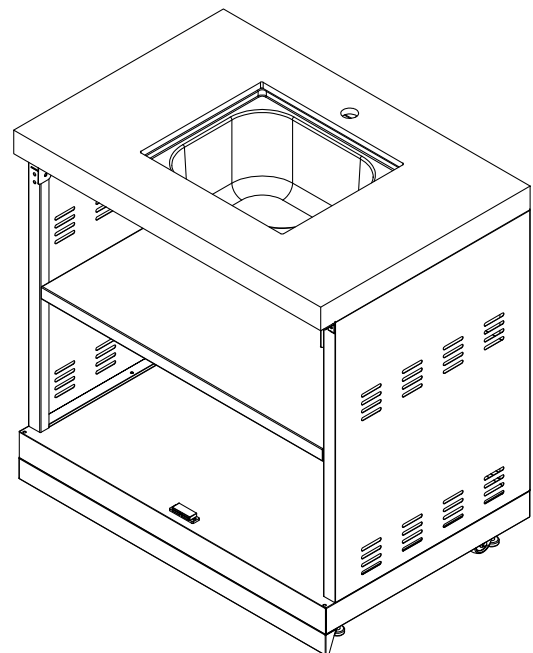
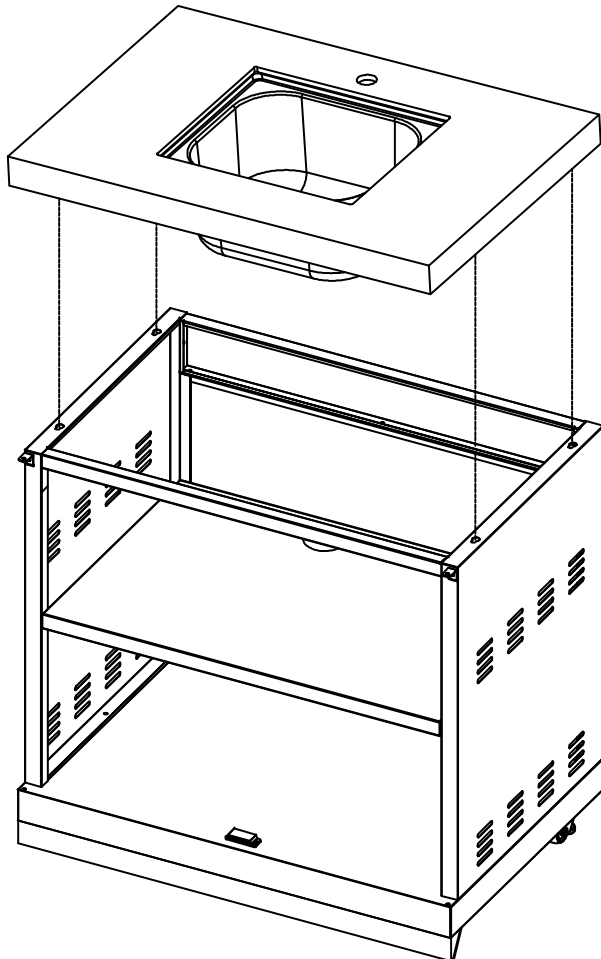
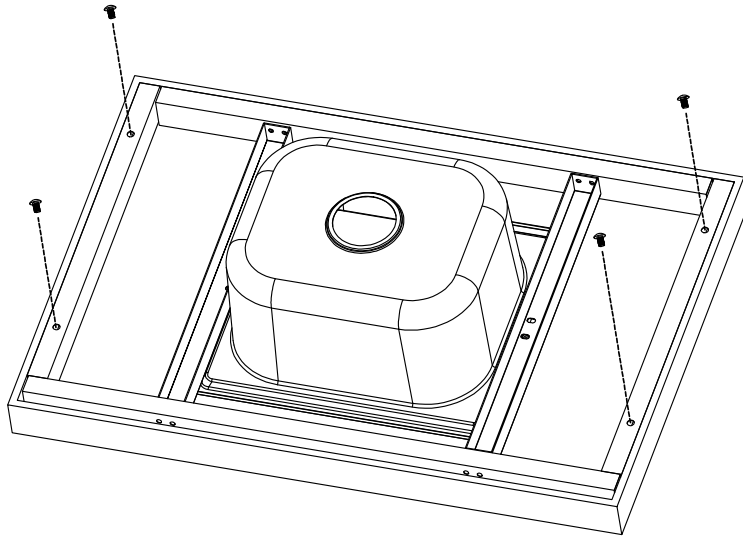
**10** Install the sink countertop.



Flat Head Screw 1/4X5/8

Qty.4

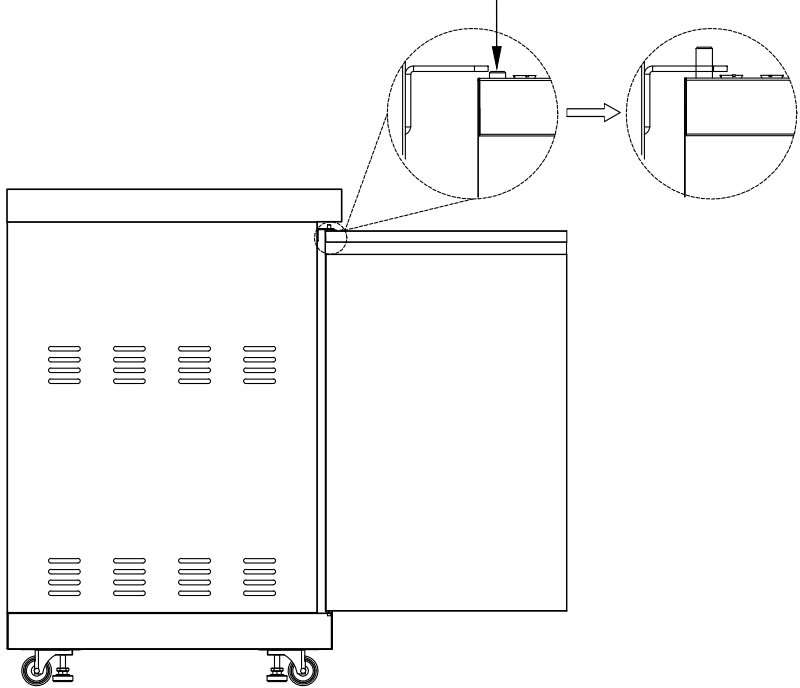
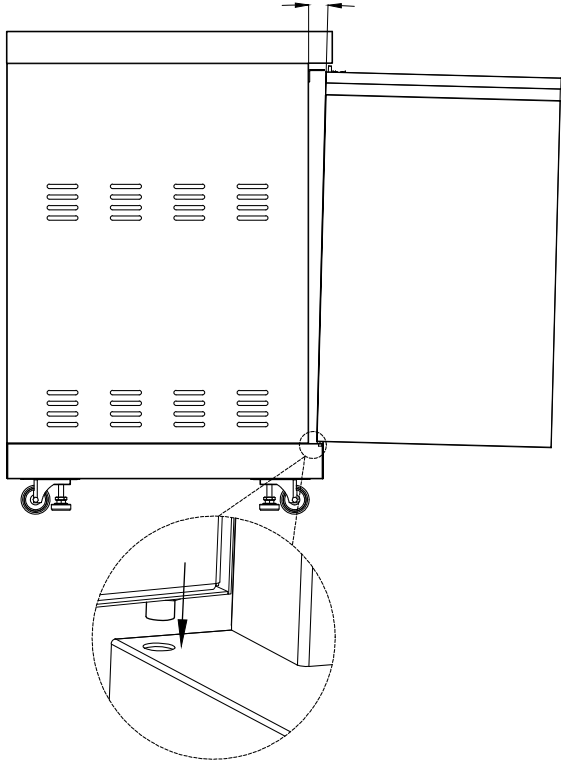
1. Pre-install the screws partially on the underside of the benchtop  
(Do not tighten to the end).



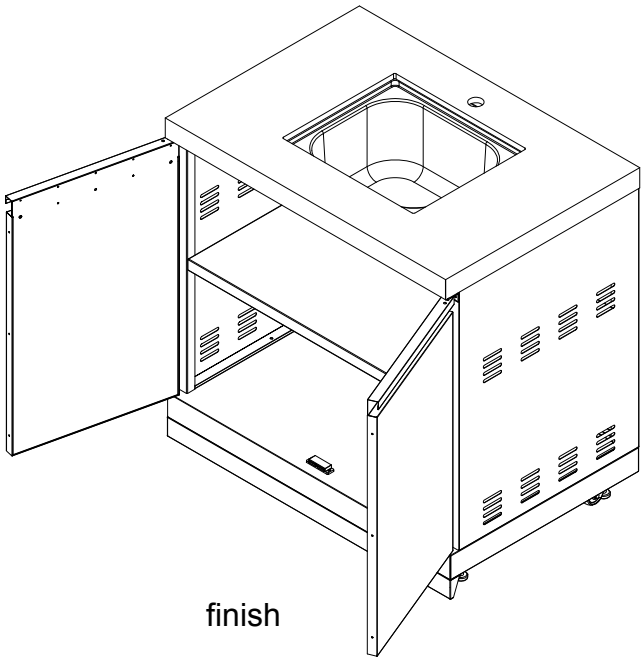
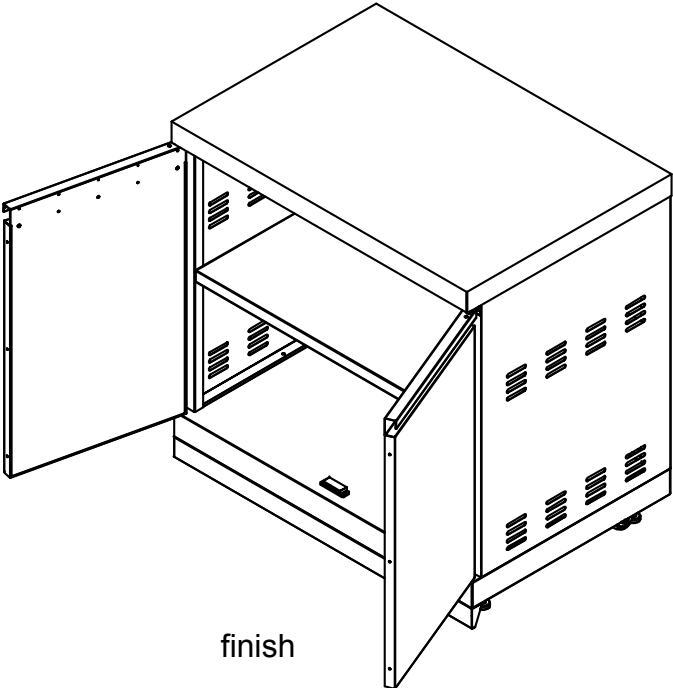
**11** Install Door

2. Press the latch on the door, and slide the door into the hole when the latch is flush with the door support piece.

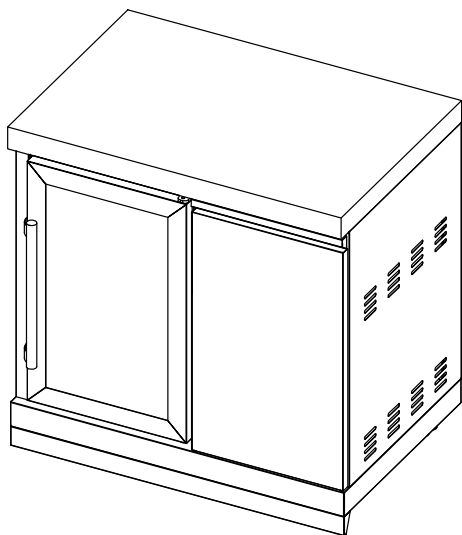
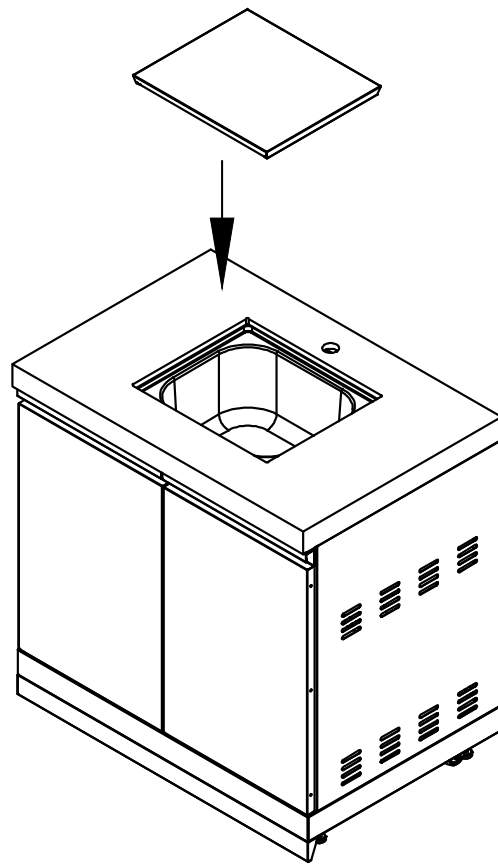
Tilt the door to an angle.



1. Tilt the door and insert to the hole on bottom.



**12** Sink lid to turn your sink module to a workspace.



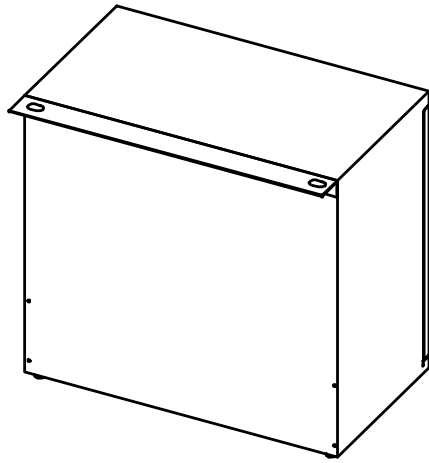
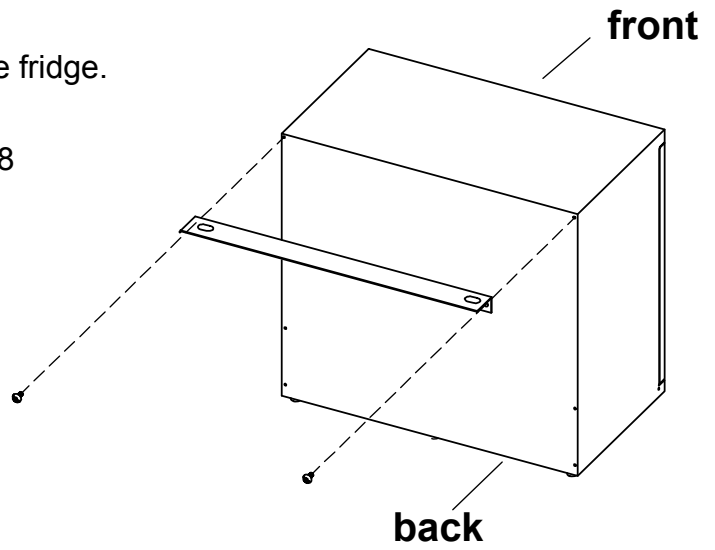
**Illustration of fridge cabinet:**  
The same assembly instruction is applied on the fridge cabinet. Please note that the cabinet door is different size from the regular cabinet door, and should be installed on the right hand side.

# Installation of the stone on the double fridge V1

Secure the mounting bracket to the rear of the fridge.



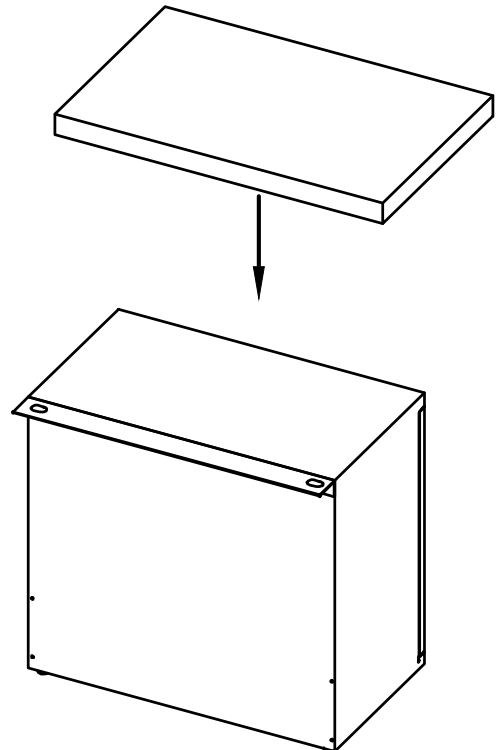
Flat Head Screw 3/16X3/8  
Qty.2



Using screws to secure the bench top



Flat Head Screw 1/4X5/8  
Qty.2

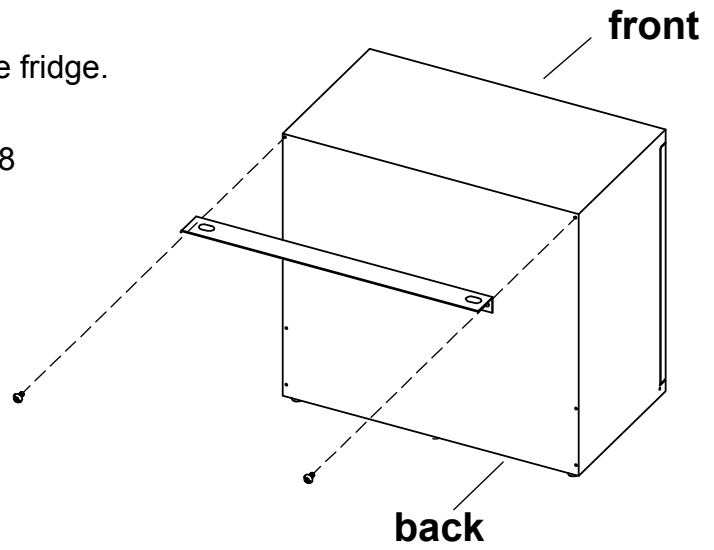


## Installation of the waterfall stone on the double fridge V2

Secure the mounting bracket to the rear of the fridge.



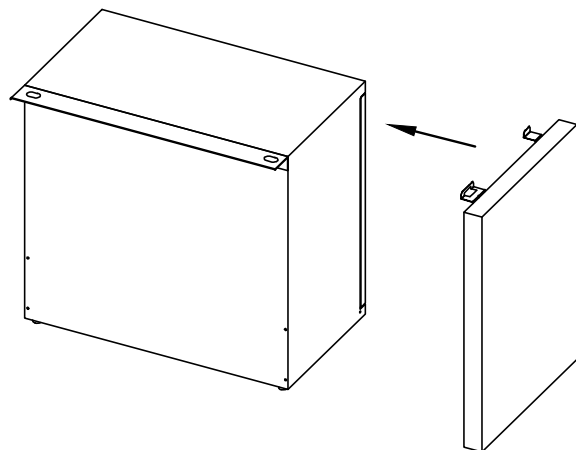
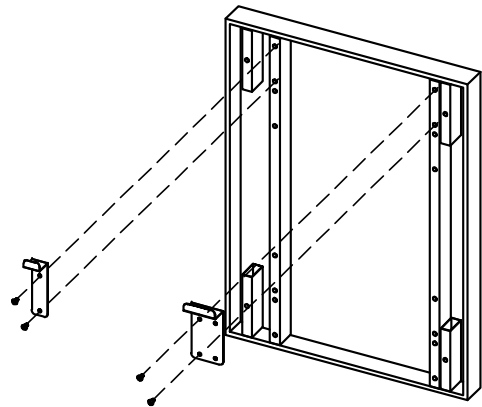
Flat Head Screw 3/16X3/8  
Qty.2



Install two brackets on the waterfall stone.



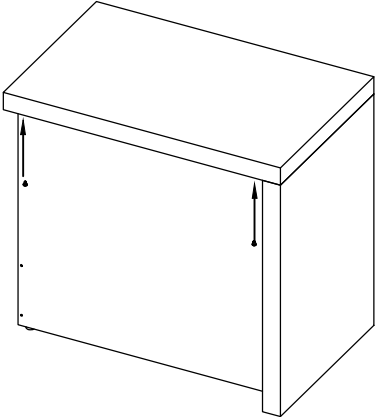
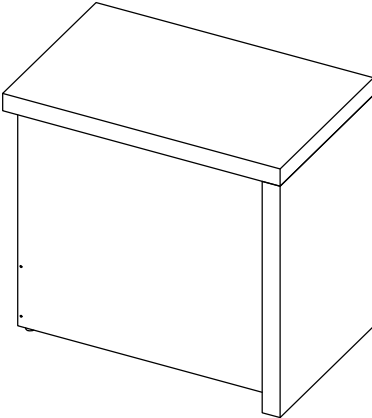
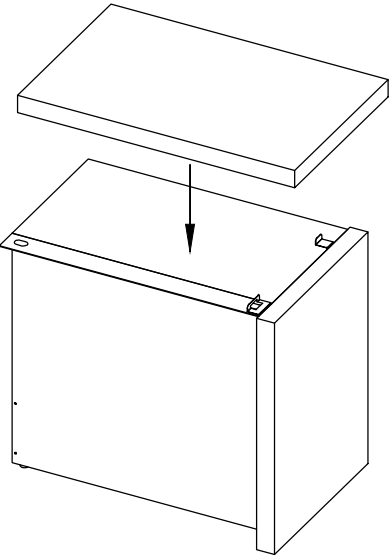
Flat Head Screw 1/4X5/8  
Qty.4



Using screws to secure the bench top

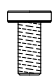


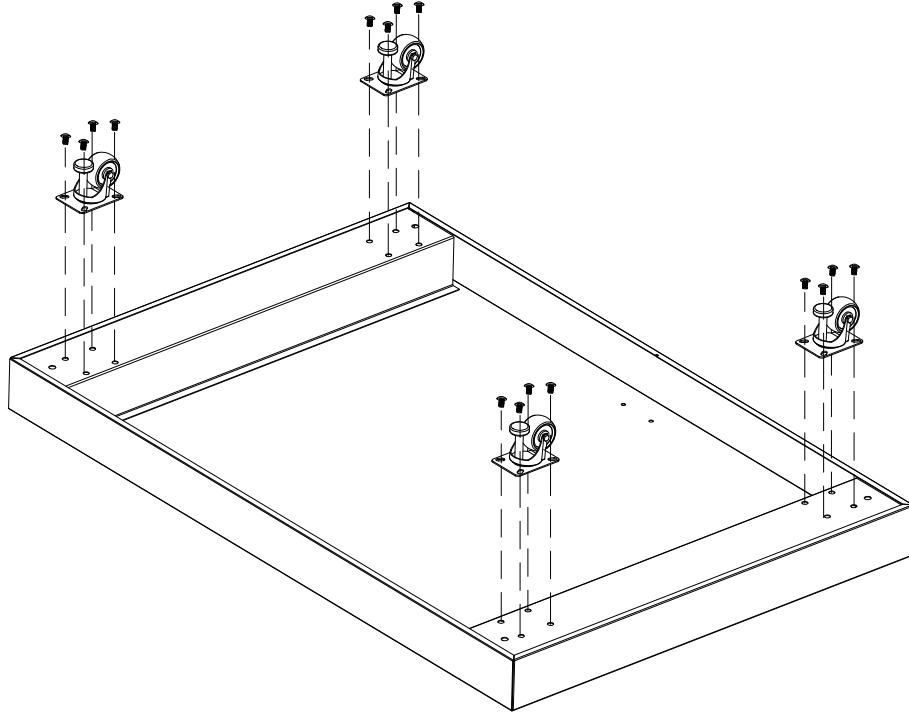
Flat Head Screw 1/4X5/8  
Qty.2



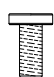
## ASSEMBLY - 4B BBQ

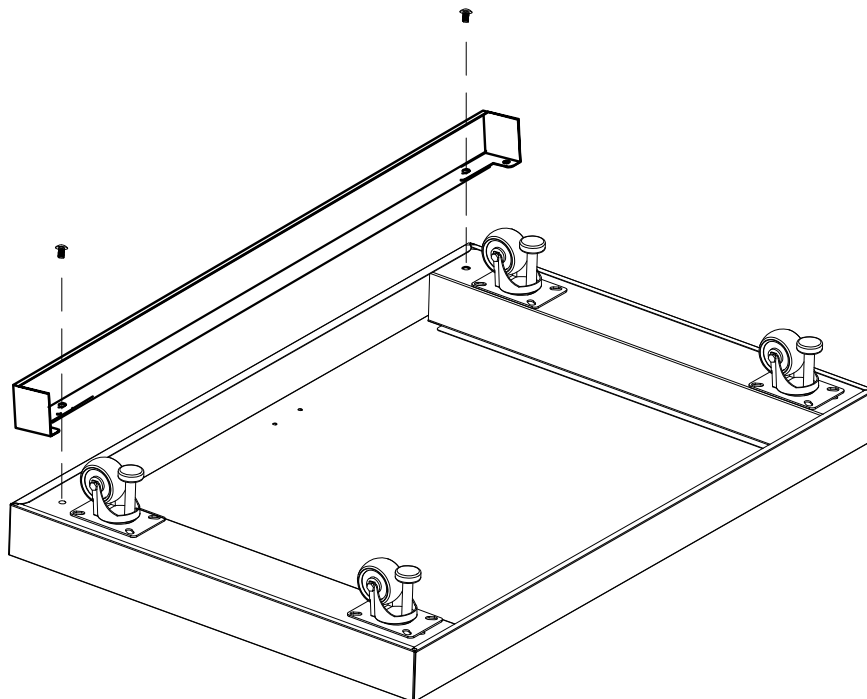
### 1 Install Casters.

 Flat Head Screw 3/16"x3/8"  
Qty.16



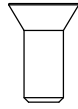
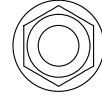
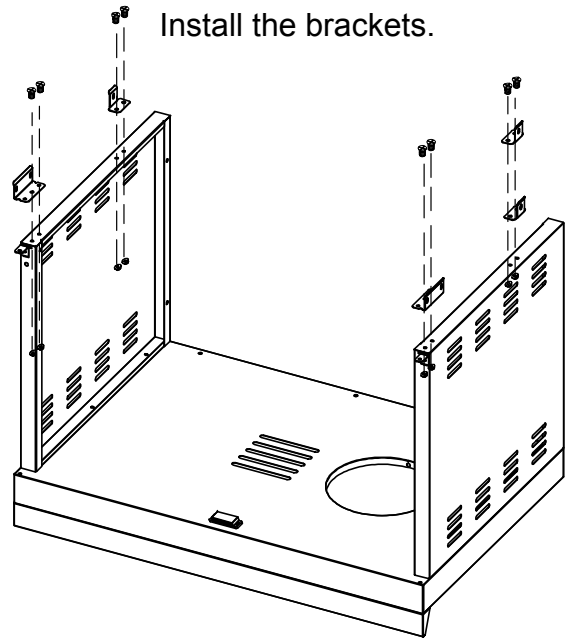
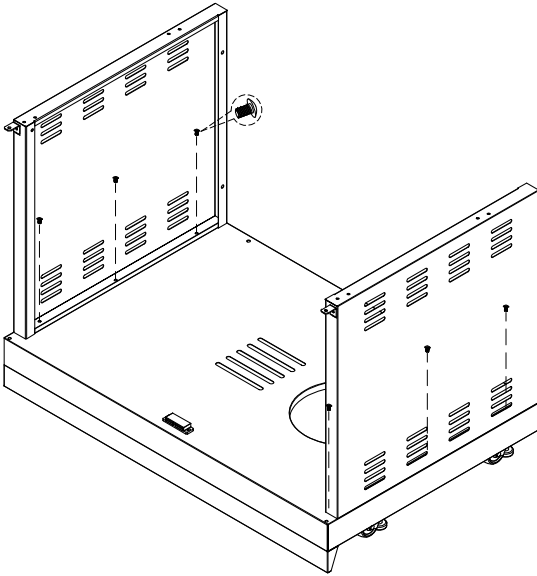
### 2 Install Cart panel.

 Flat Head Screw 3/16"x3/8"  
Qty.2

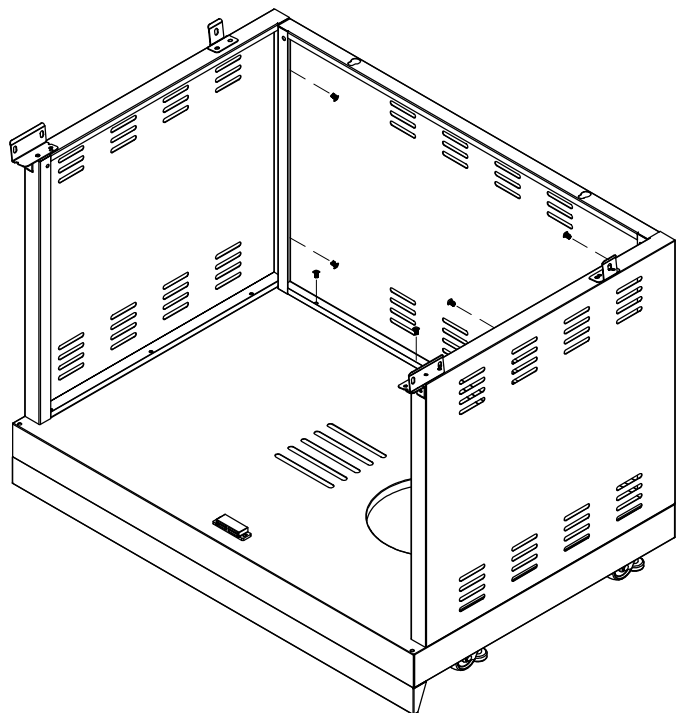


**3**

Install Trolley side panels.

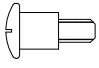
Flat Head Screw 3/16"x3/8"  
Qty.6Countersunk flat head  
screws 3/16" x 3/8"  
Qty. 8Flange Nut 3/16"  
Qty.8**4**

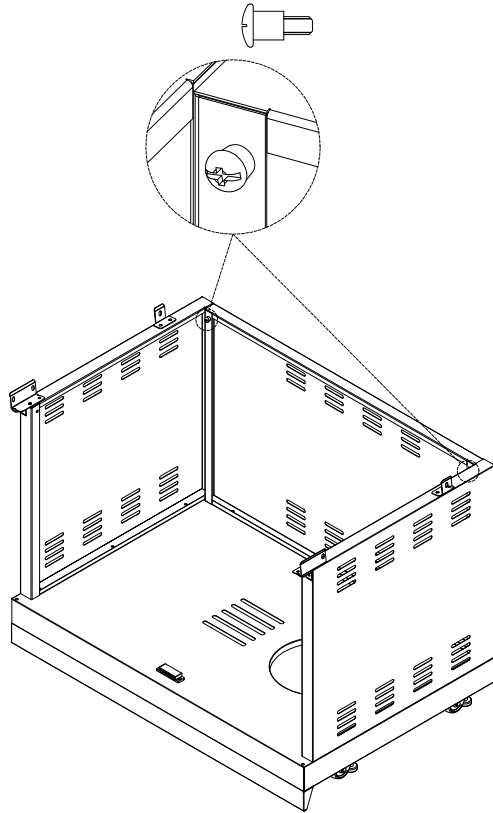
Install Trolley Rear panel.

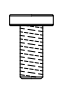
Flat Head Screw 3/16"x3/8"  
4B-Qty.7  
2B-Qty.6

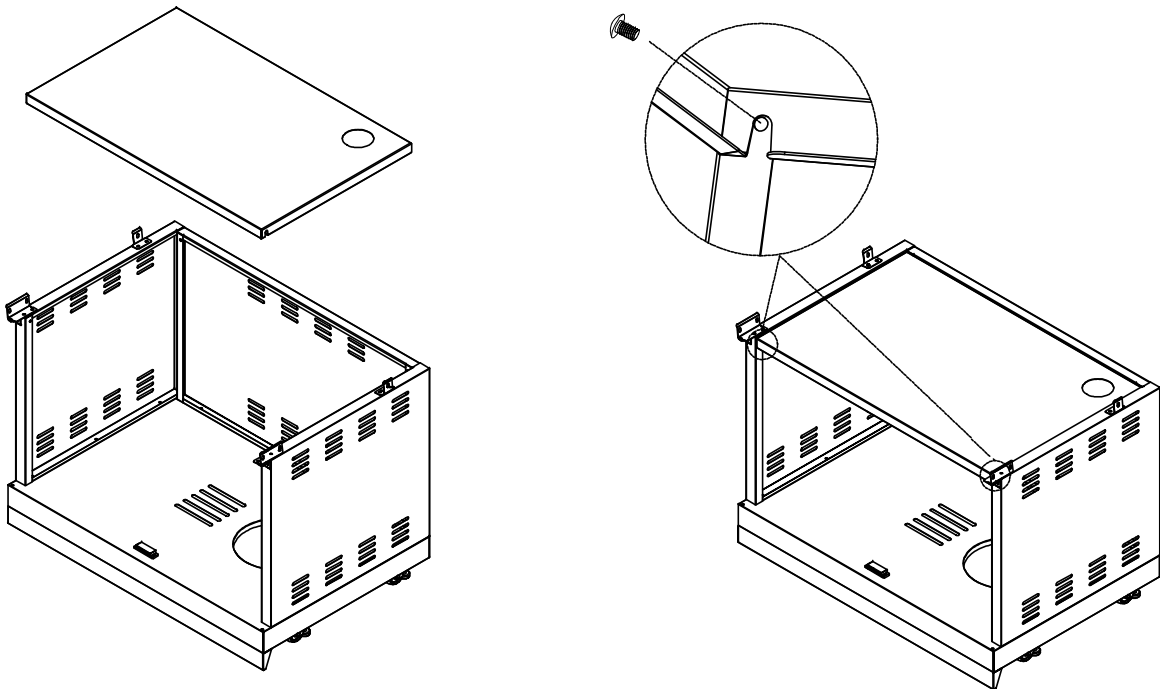


**5** Install AGA separation panel .

 Bolt 3/16"x8mm  
Qty.2

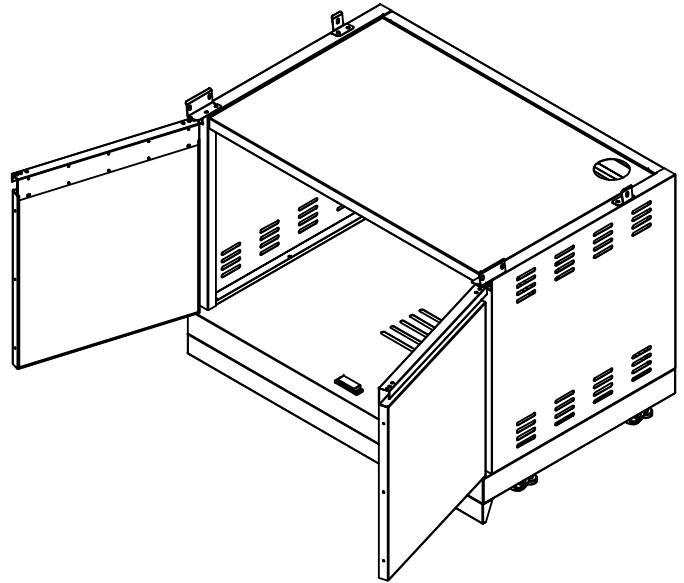


 Flat Head Screw 3/16"x3/8"  
Qty.2



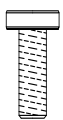
## 6 Install Doors

Install Door—please refer to P9.

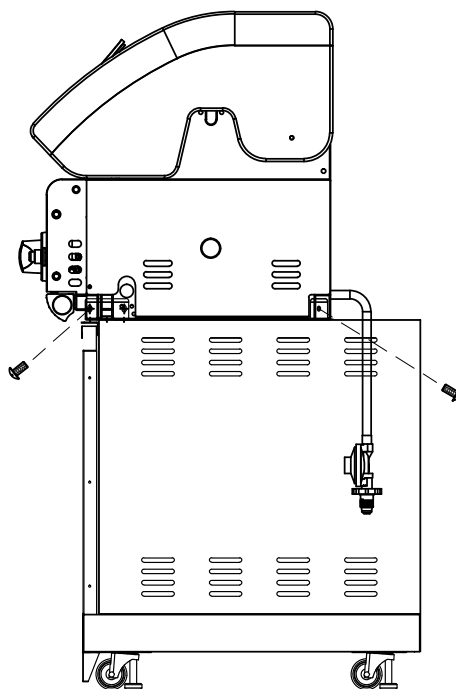


## 7 Instructions to secure the inbuilt BBQ on the cabinet.

Place the BBQ onto the cabinet, and secure with screws.




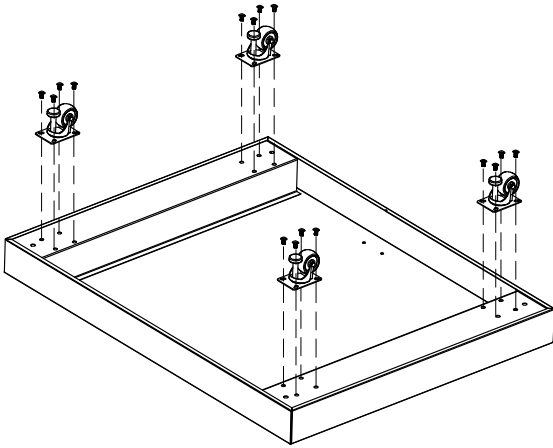
Flat Head Screw M6x15  
Qty.4




# ASSEMBLY - TCE22-BBQCAB

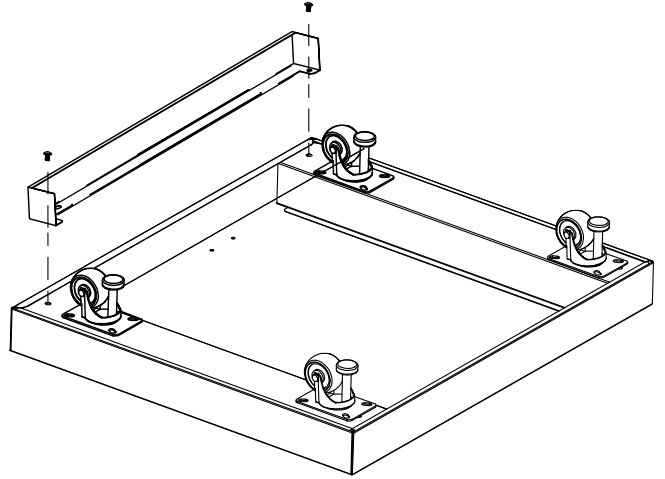
## 1 Install Casters.

 Flat Head Screw 3/16"x3/8"  
Qty.16




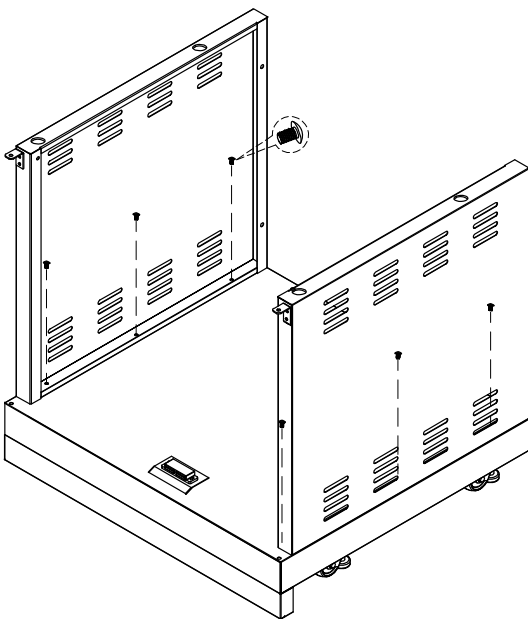
## 2 Install Cart panel.

 Flat Head Screw 3/16"x3/8"  
Qty.2




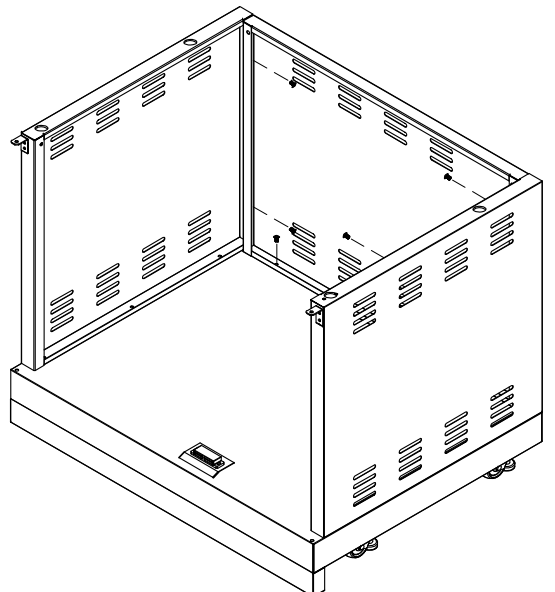
## 3 Install Trolley side panels.

 Flat Head Screw 3/16"x3/8"  
Qty.6




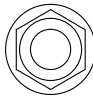
## 4 Install Trolley Rear panel.

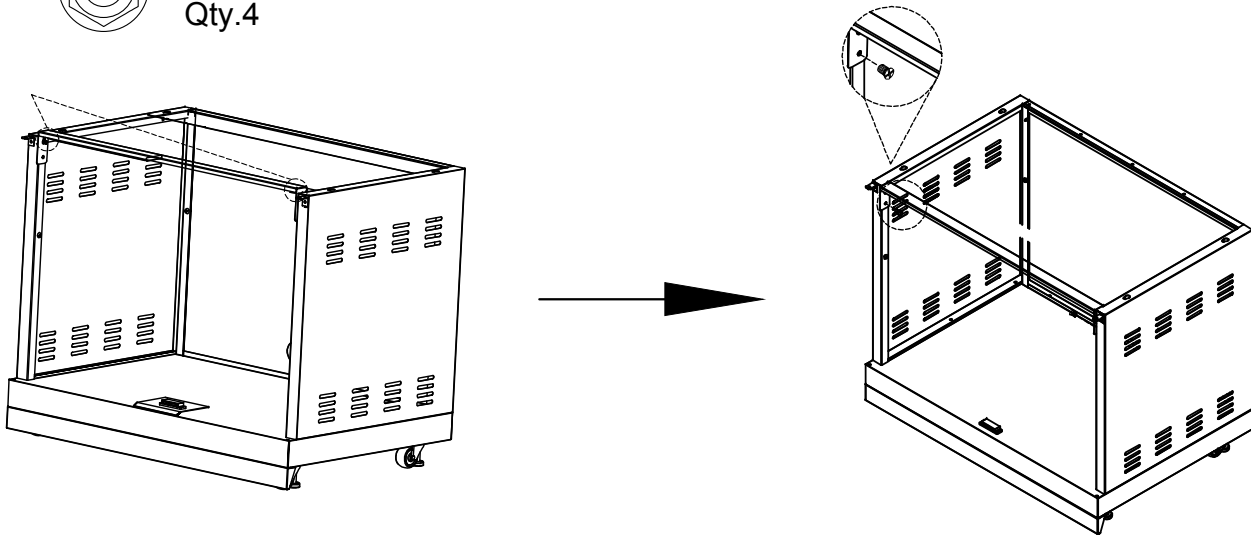
 Flat Head Screw 3/16"x3/8"  
Qty.6



**5** Install the door upper bracket.

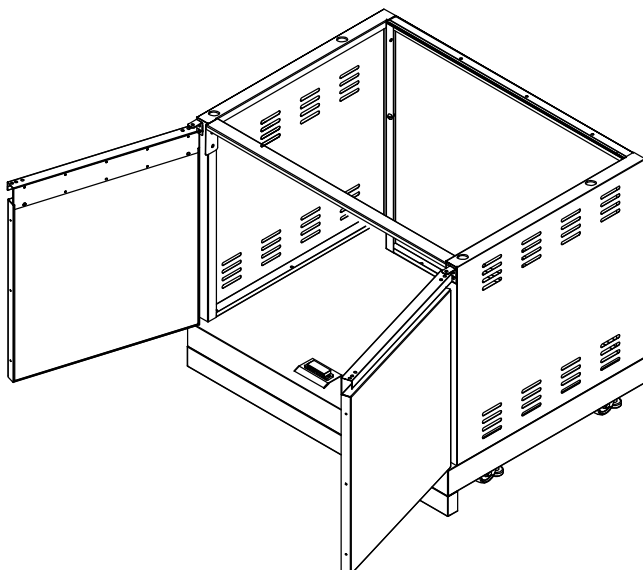
 Flat Head Screw 3/16"x3/8"  
Qty.4

 Flange Nut 3/16"  
Qty.4

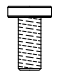


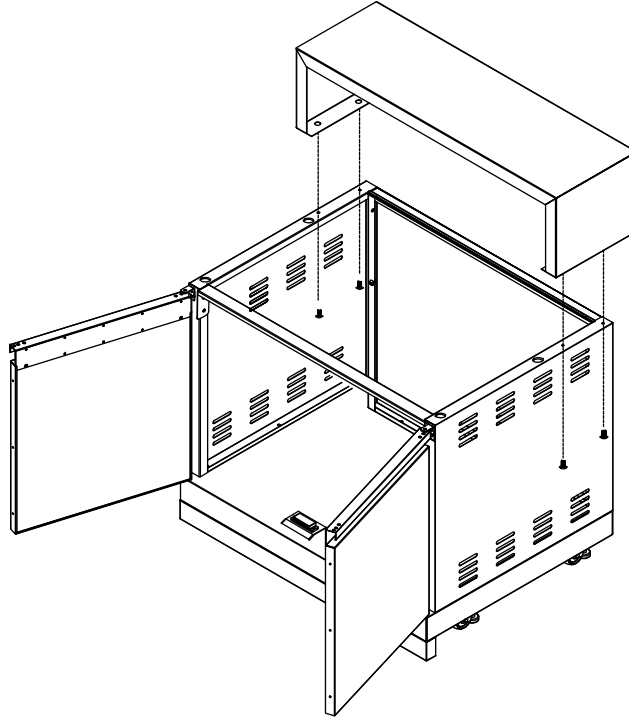
**6** Install Doors

Install Door—please refer to P9.



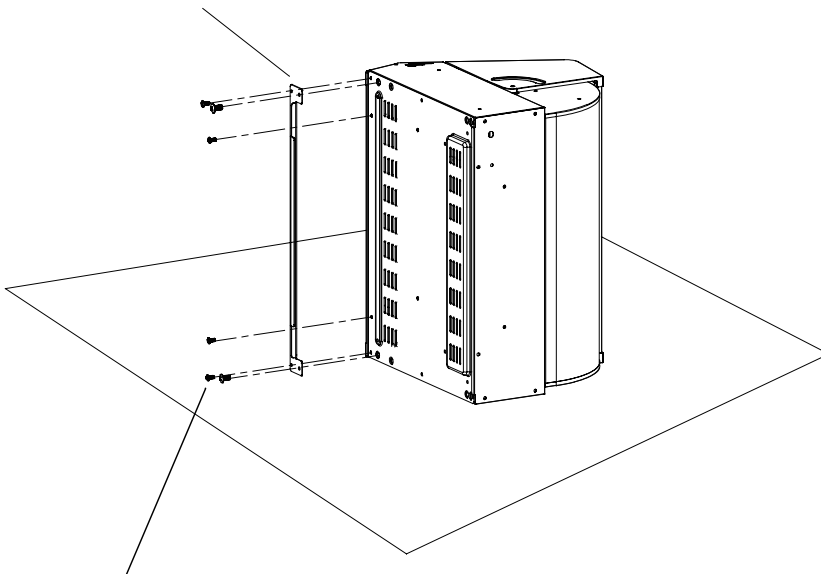
## 7 Install Rear Decoration Panel.

 Flat Head Screw 3/16"x3/8"  
Qty.4

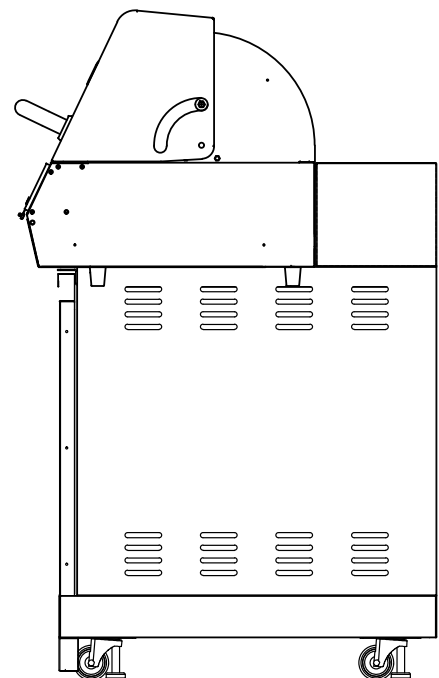


## 8 Instruction to attach BBQ to the cabinet.

Remove bottom bracket from BBQ.

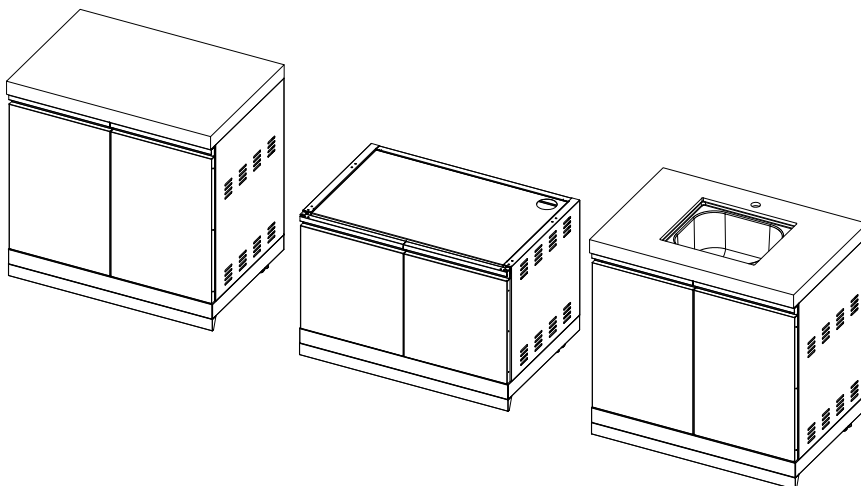


Note: These 4 small screws need to be reinstalled after removing the bottom bracket.



How to attach the cabinets together ?

1.Put all cabinets together. There are 4 screws, two through the top vents, and 2 through the bottom vents.



Flat Head Screw 3/16"x3/8"

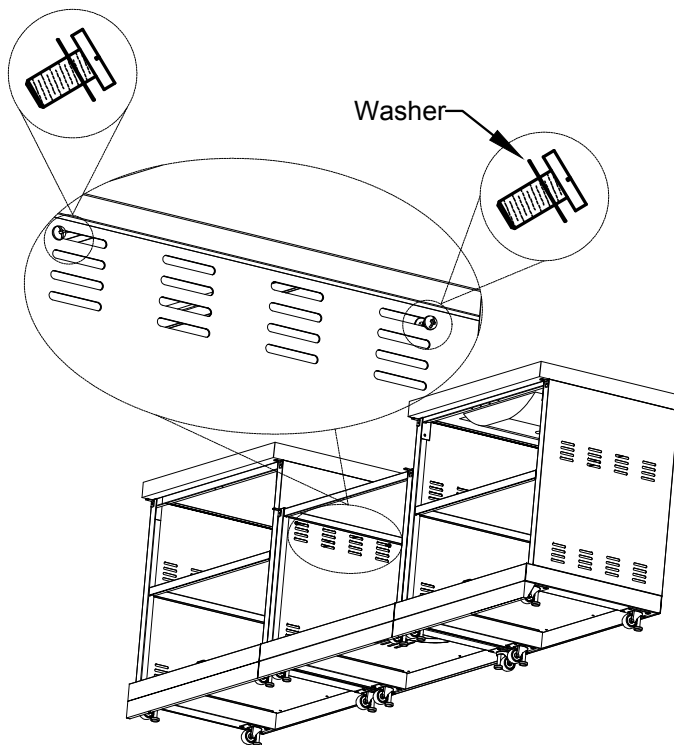
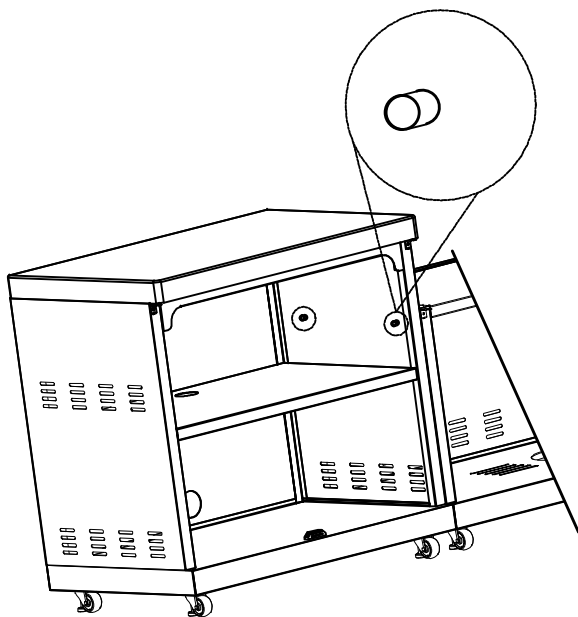
Qty.4



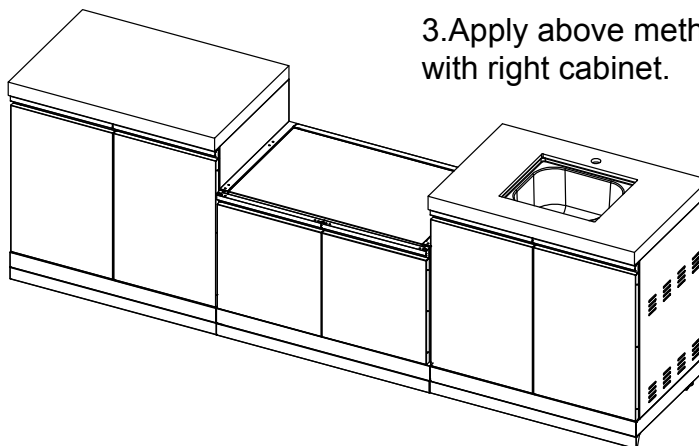
Washer

Qty.4

2.Open the door of main cabinet, put 2 screws into the holes to fix with left cabinet as below picture shown, insert the screw close to the side of hole, as this is the most secure.




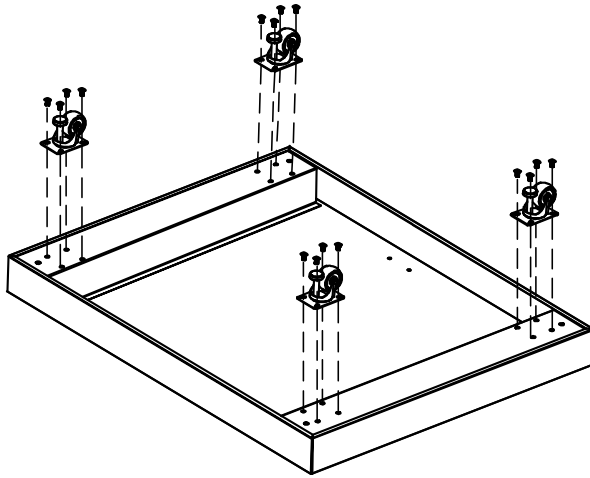
3.Apply above method to fix main cabinet with right cabinet.



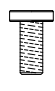
## ASSEMBLY - Square cabinet

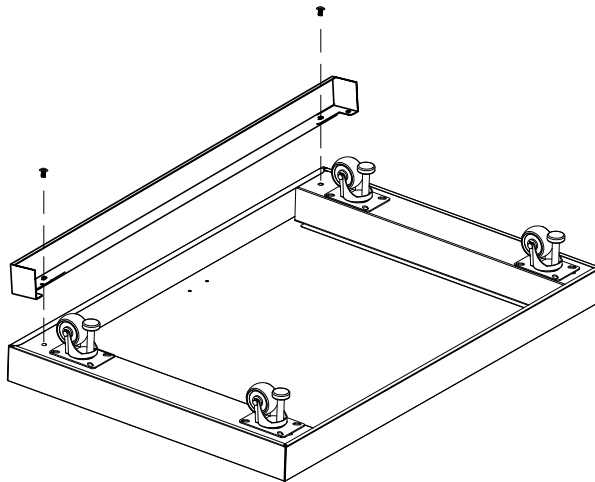
### 1 Install Casters.

 Flat Head Screw 3/16"x3/8"  
Qty.16



### 2 Install Cart panel.

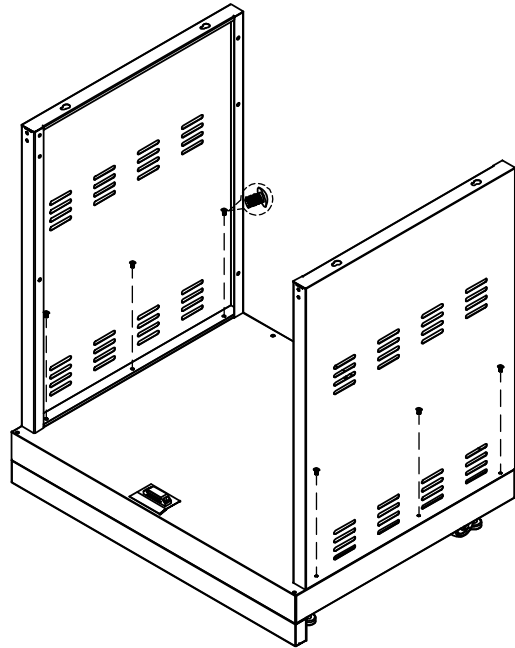
 Flat Head Screw 3/16"x3/8"  
Qty.2



**3** Install Trolley side panels.



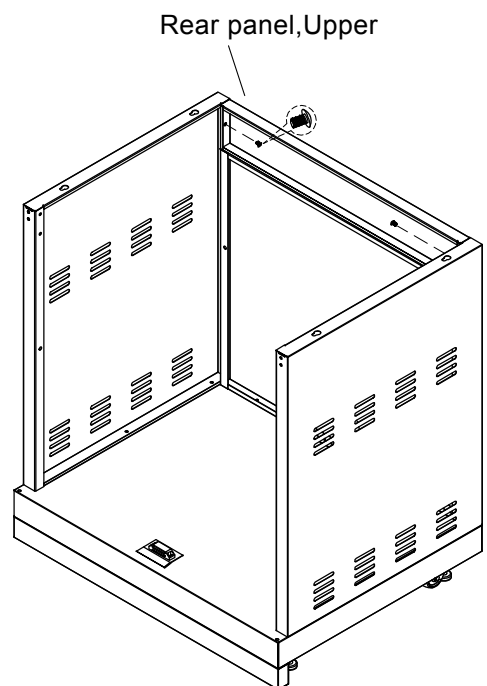
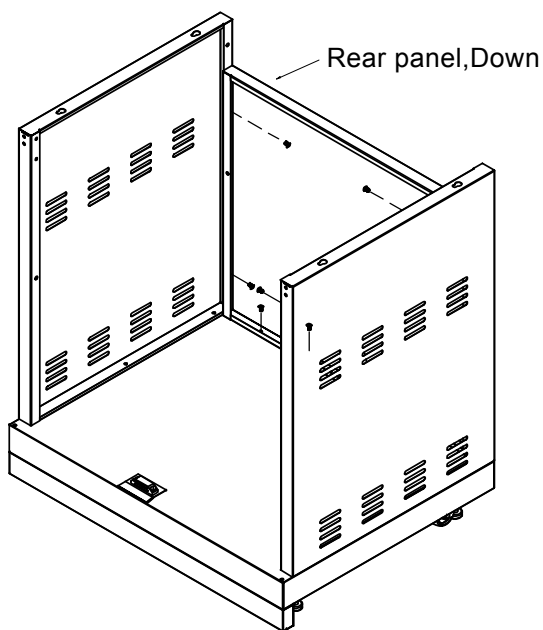
Flat Head Screw 3/16"x3/8"  
Qty.6



**4** Install Trolley Rear panel.

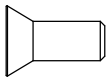


Flat Head Screw 3/16"x3/8"  
Qty.8

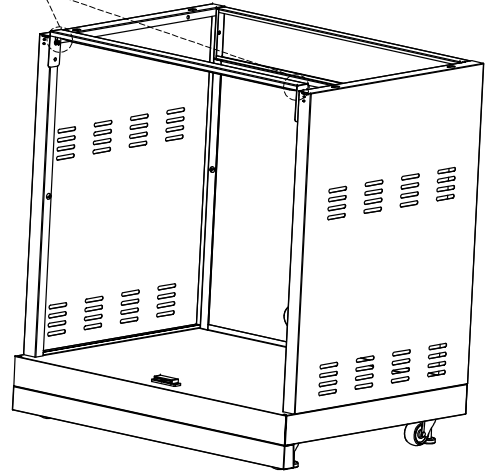
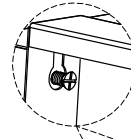
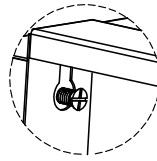
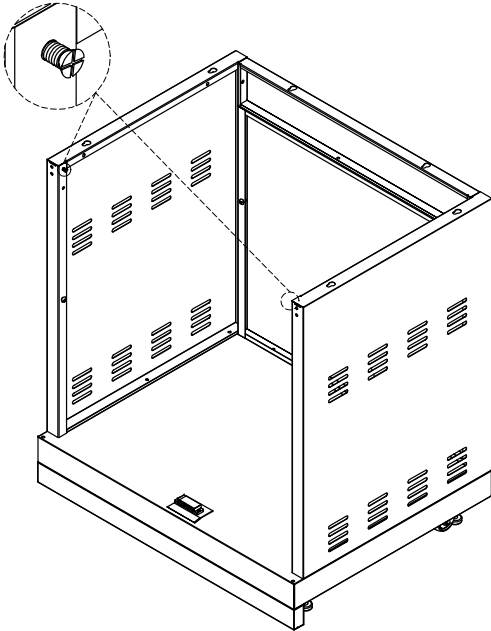




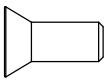
**5** Install Door Bracket.



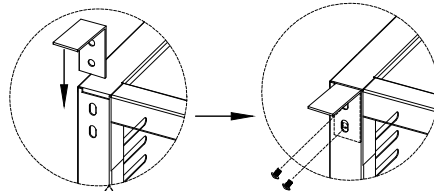
Countersunk flat head screws 3/16" x 1/2"  
Qty. 4



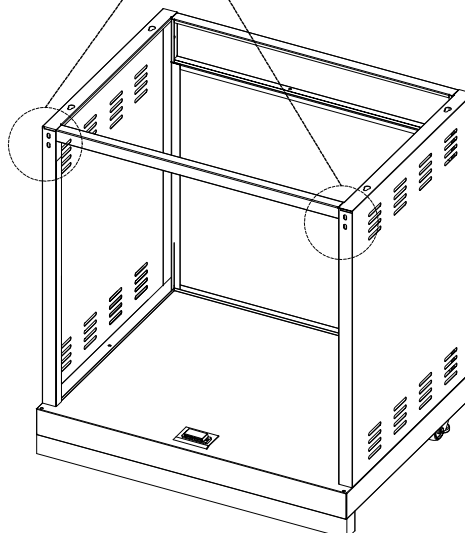
**6** Door hinge bracket.



Countersunk flat head screws 3/16" x 1/2"  
Qty. 2



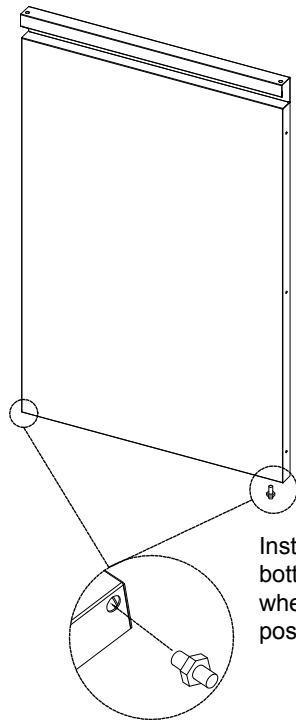
Install the door hinge bracket on the upper left-hand side when the sink cabinet is positioned on the left



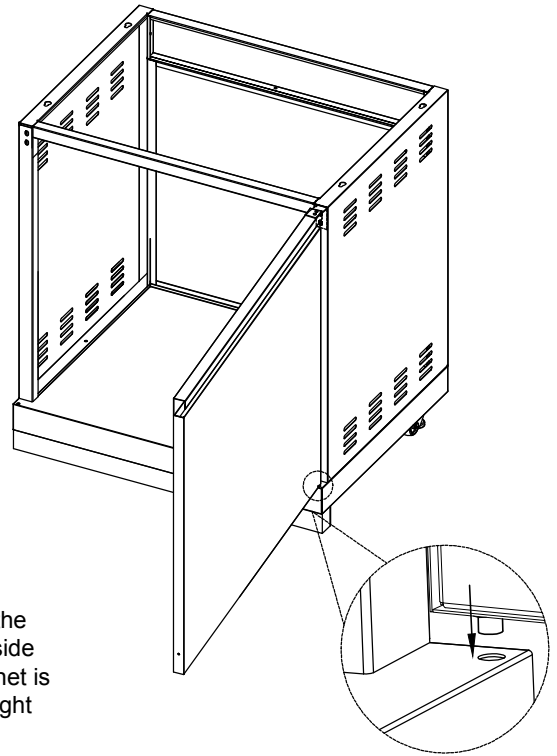
Install the door hinge bracket on the upper right-hand side when the sink cabinet is positioned on the right

## 7 Install door .

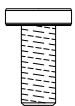
Install the door on the bottom left-hand side when the sink cabinet is positioned on the left



Install the door on the bottom right-hand side when the sink cabinet is positioned on the right



## 8 Install countertop.

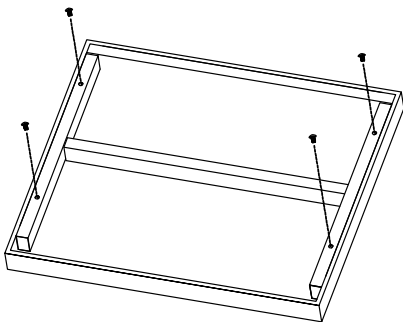


Flat Head Screw 1/4X5/8

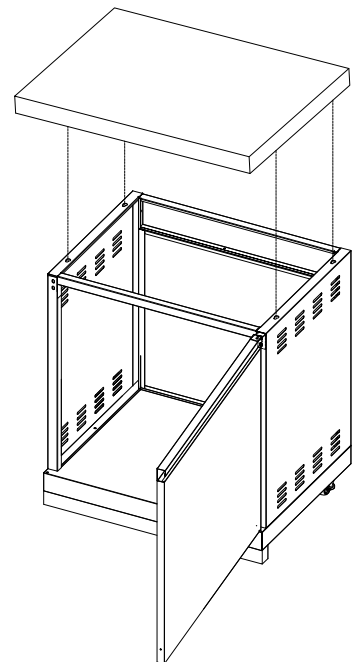
Qty.4

1. Pre-install the screws partially on the underside of the benchtop

(Do not tighten to the end).



2. Position the pre-installed Screws on the cabinet (**Handle with care**) .

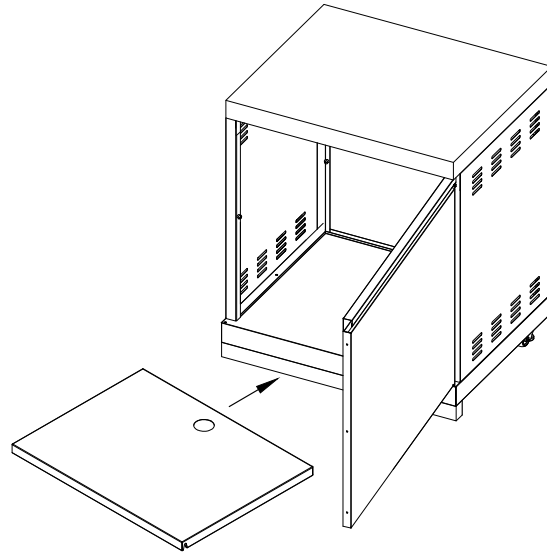
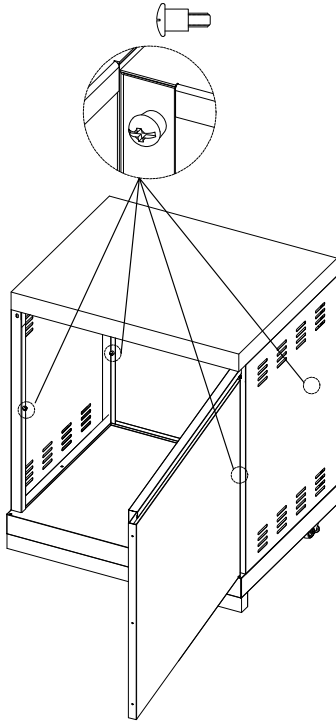


**9**

Install middle panel.



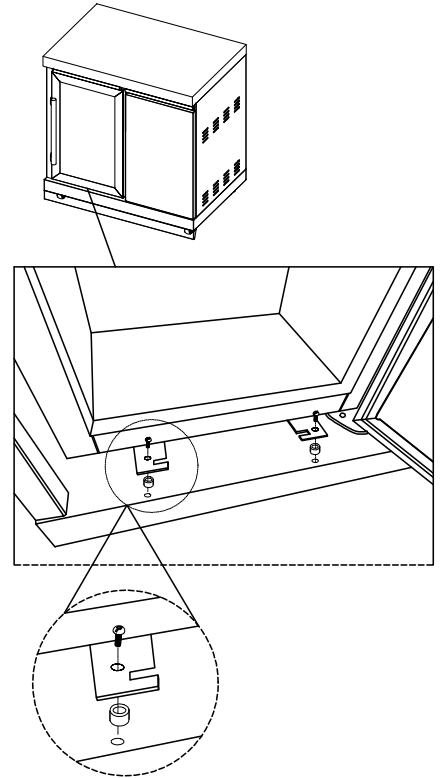
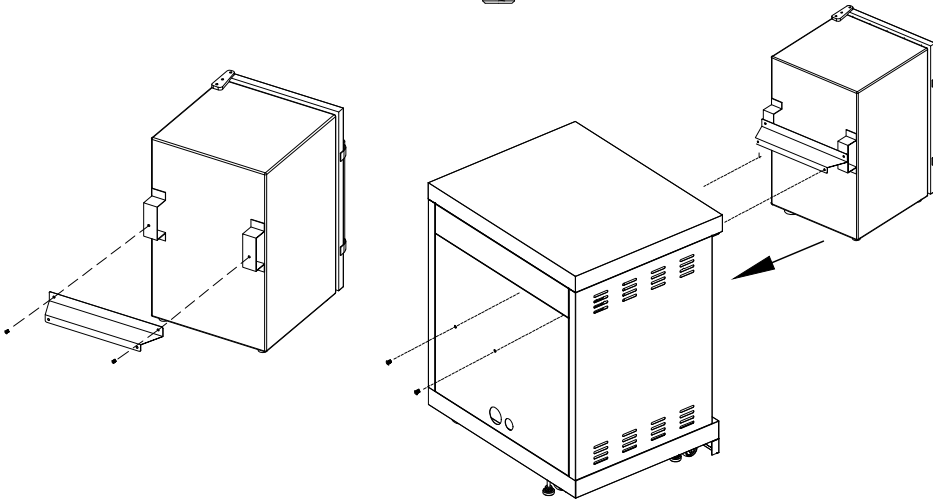
Bolt 3/16"x8mm  
Qty.4



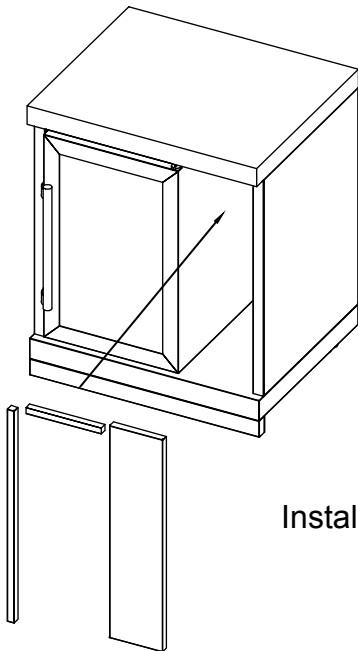
**ASSEMBLY - Square cabinet** fridge Cabinets

Flat Head Screw M6\*12  
Qty.2

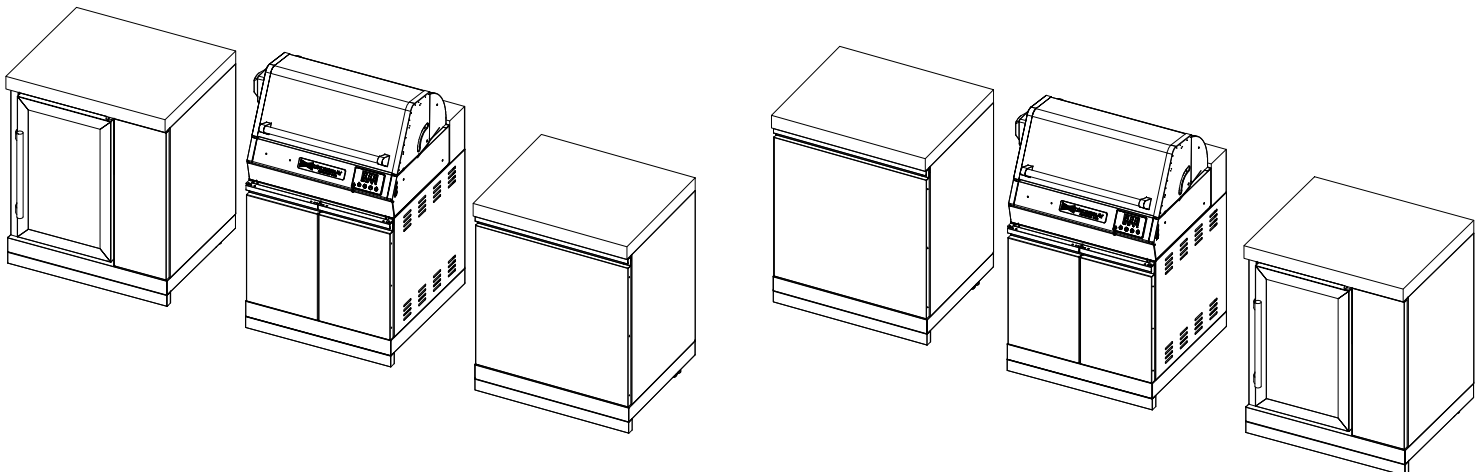
Flat Head Screw 3/16"x3/8"  
Qty.2



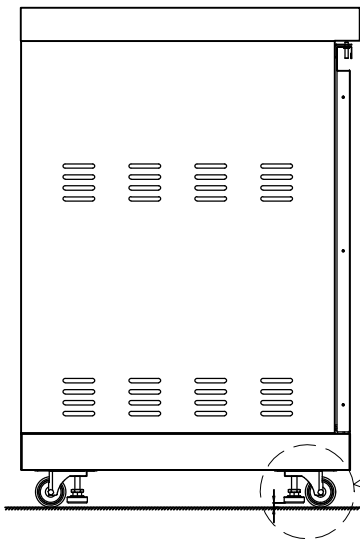
Flat Head Screw 3/16"x35mm  
Qty.2



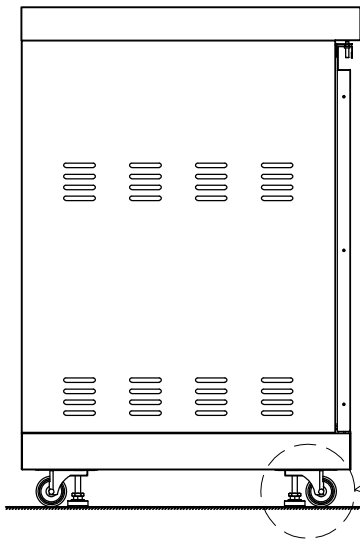
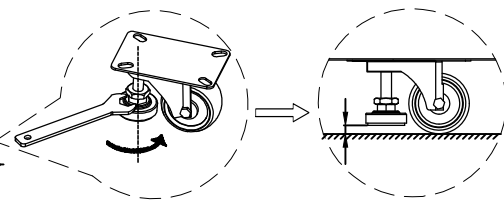
Install fridge Frame.



How to adjust the height of the caster with levelling glide.

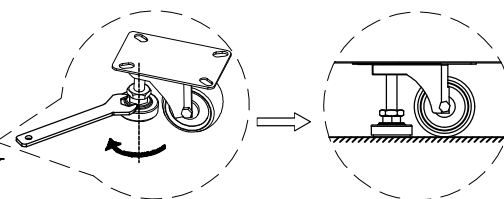


1. When you want to move the cabinet, please lift the levelling glide with wrench as shown on below image (please keep the levelling glide off the floor 3-5mm).

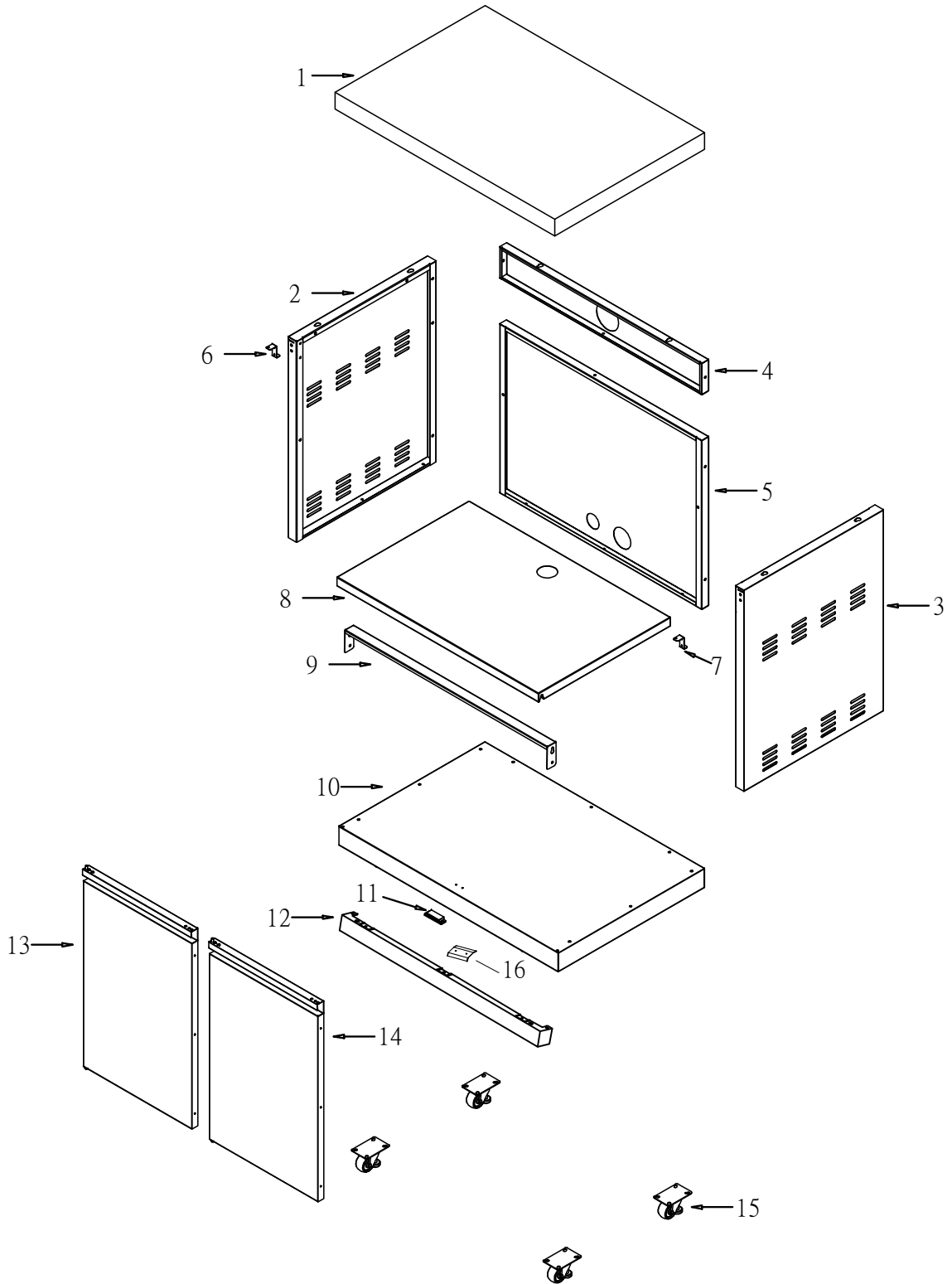


2. When you want to level the cabinets., please use a wrench (not included) to adjust the levelling-caster. The maximum height of adjustment is 5-6mm.

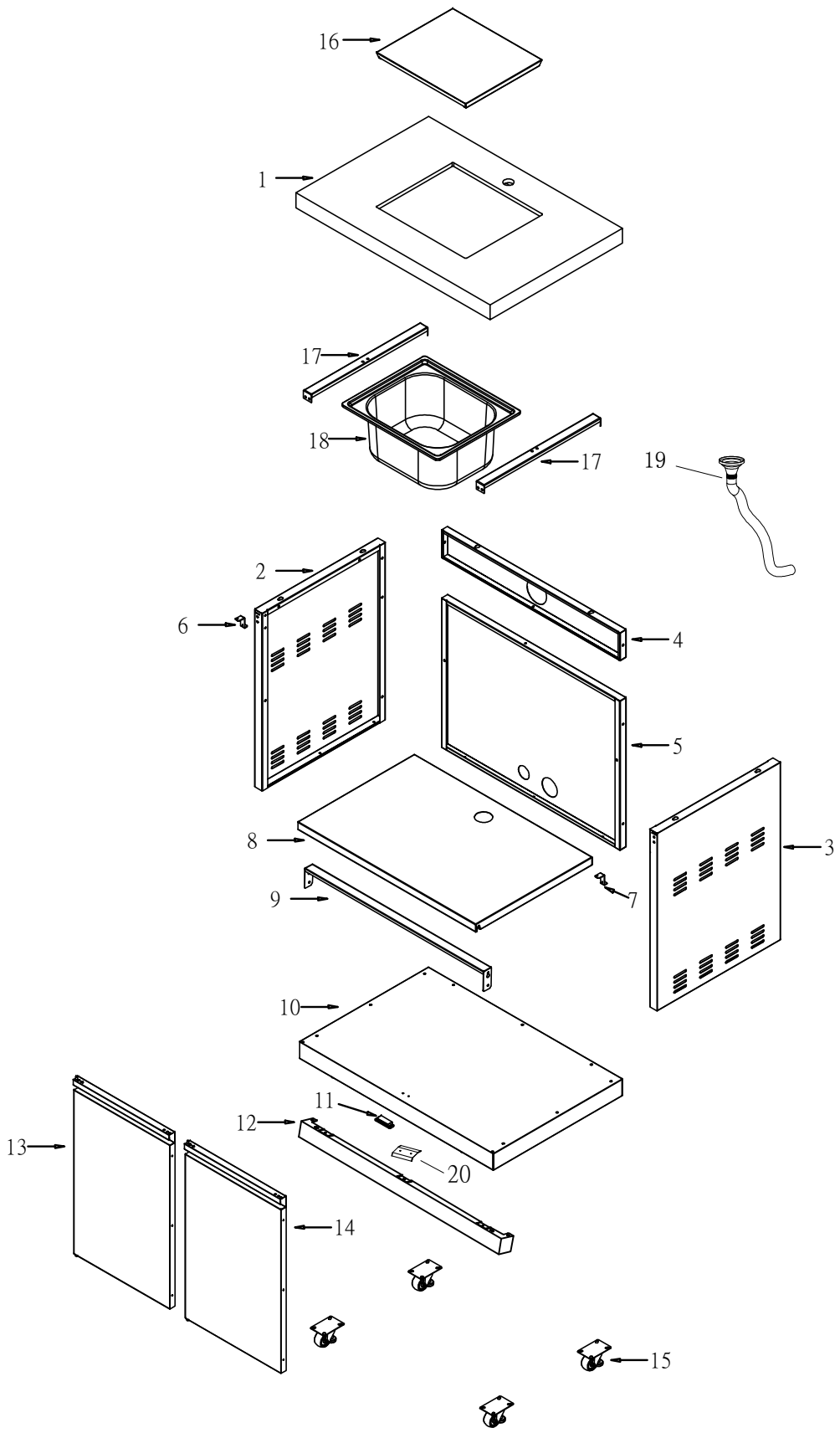
3. We recommend you use a spirit level to ensure the middle BBQ cabinet is level first, then level the side cabinets by adjusting the feet.



**TCK-SIDECAB60-S** Parts Diagram for Crossray Kitchen Side Cabinets



**TCK-FRIDGECAB60** Parts Diagram for Sink Cabinet



**TCK-SIDECAB60-S** Parts list for Crossray Kitchen Side Cabinets

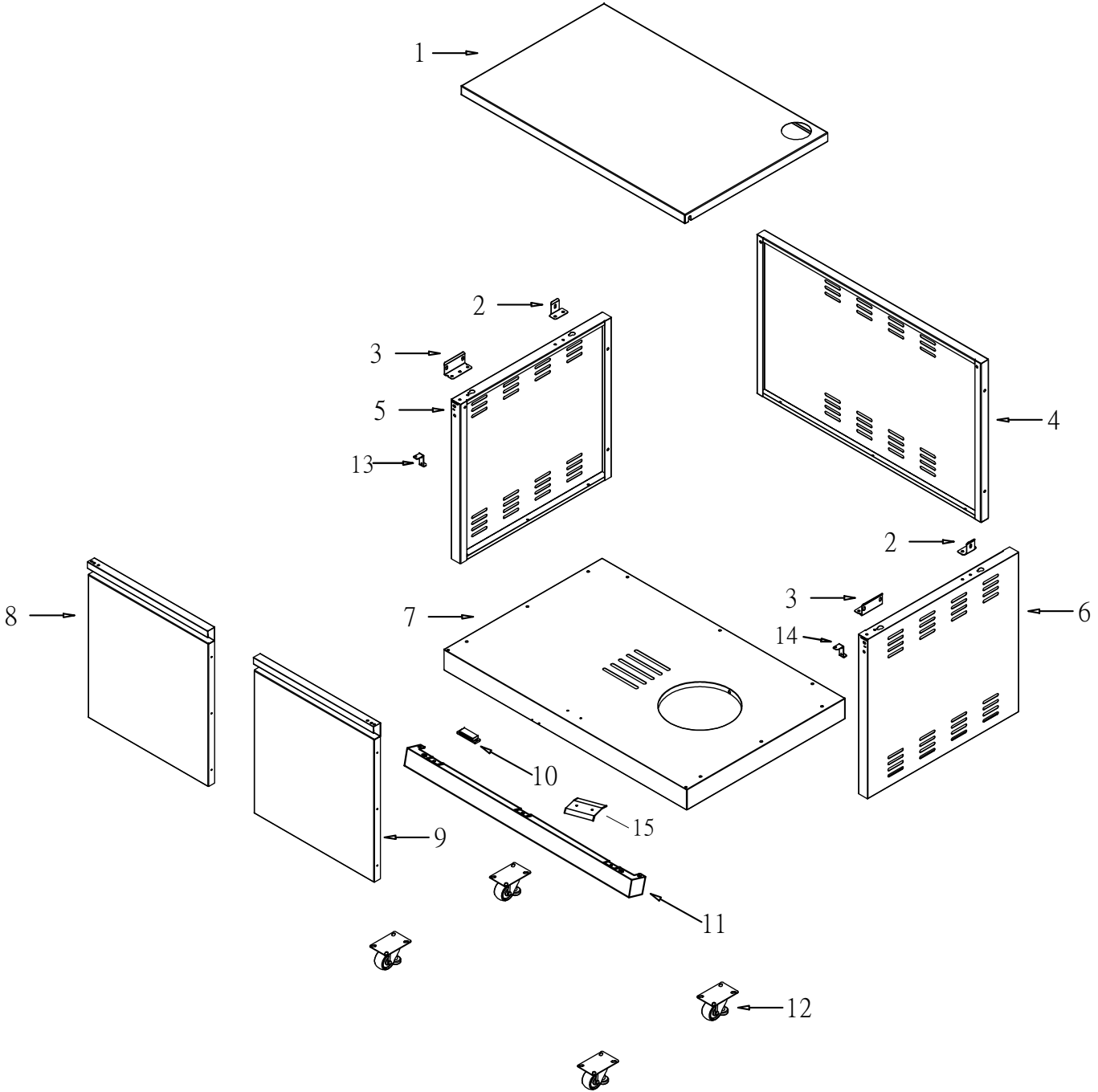
KEY	DESCRIPTION	PART#	QTY
1	Cabinet Panel,Top	S0218-28	1
2	Cabinet Panel,Left	S0218-05A	1
3	Cabinet Panel,Right	S0218-05B	1
4	Cabinet Panel,Rear Top	S0218-03	1
5	Cabinet Panel,Rear Bottom	S0218-02	1
6	Door Hinge Bracket,Left	S0218-27A	1
7	Door Hinge Bracket,Right	S0218-27B	1
8	Middle Panel	S0218-06	1
9	Door Bracket	S0218-11	1
10	Bottom Panel	S0218-01Z	1
11	Magnet	S0167-43	2
12	Kickboard	S0218-32C	1
13	Cabinet Door,Left	S0218-07AZ	1
14	Cabinet Door,Right	S0218-07BZ	1
15	Casters	S0218-20	4
16	Door Bracket	S0219-41	1

**TCK-FRIDGE CAB60** Parts list for Sink Cabinet

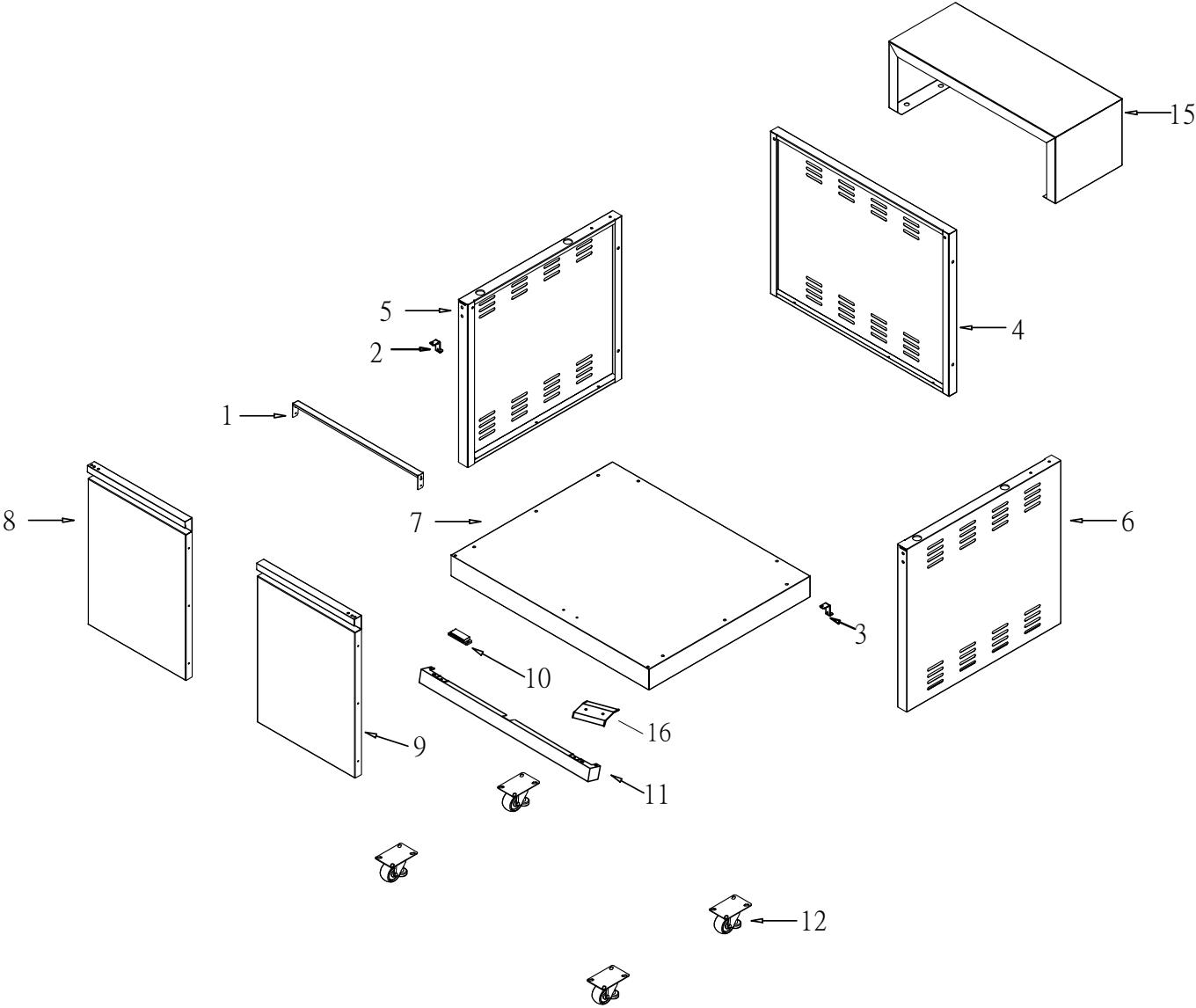
KEY	DESCRIPTION	PART#	QTY
1	Sink Top	S0218-29	1
2	Cabinet Panel,Left	S0218-05A	1
3	Cabinet Panel,Right	S0218-05B	1
4	Cabinet Panel,Rear Top	S0218-03	1
5	Cabinet Panel,Rear Bottom	S0218-02	1
6	Door Hinge Bracket,Left	S0218-27A	1
7	Door Hinge Bracket,Right	S0218-27B	1
8	Middle Panel	S0218-06	1
9	Door Bracket	S0218-11	1
10	Bottom Panel	S0218-01Z	1
11	Magnet	S0167-43	2
12	Kickboard	S0218-32C	1
13	Cabinet Door,Left	S0218-07AZ	1
14	Cabinet Door,Right	S0218-07BZ	1
15	Casters	S0218-20	4
16	Sink Lid	S0218-30	1
17	Sink Bracket	S0218-31	2
18	Drain Sink Assembly	S0170-17-S30407	1
19	Drain Pipe Assembly	S0155-39Z	1
20	Door Bracket	S0219-41	1



Parts Diagram for C4B BBQ Cabinets



Parts Diagram for TCE22-BBQCAB Cabinets



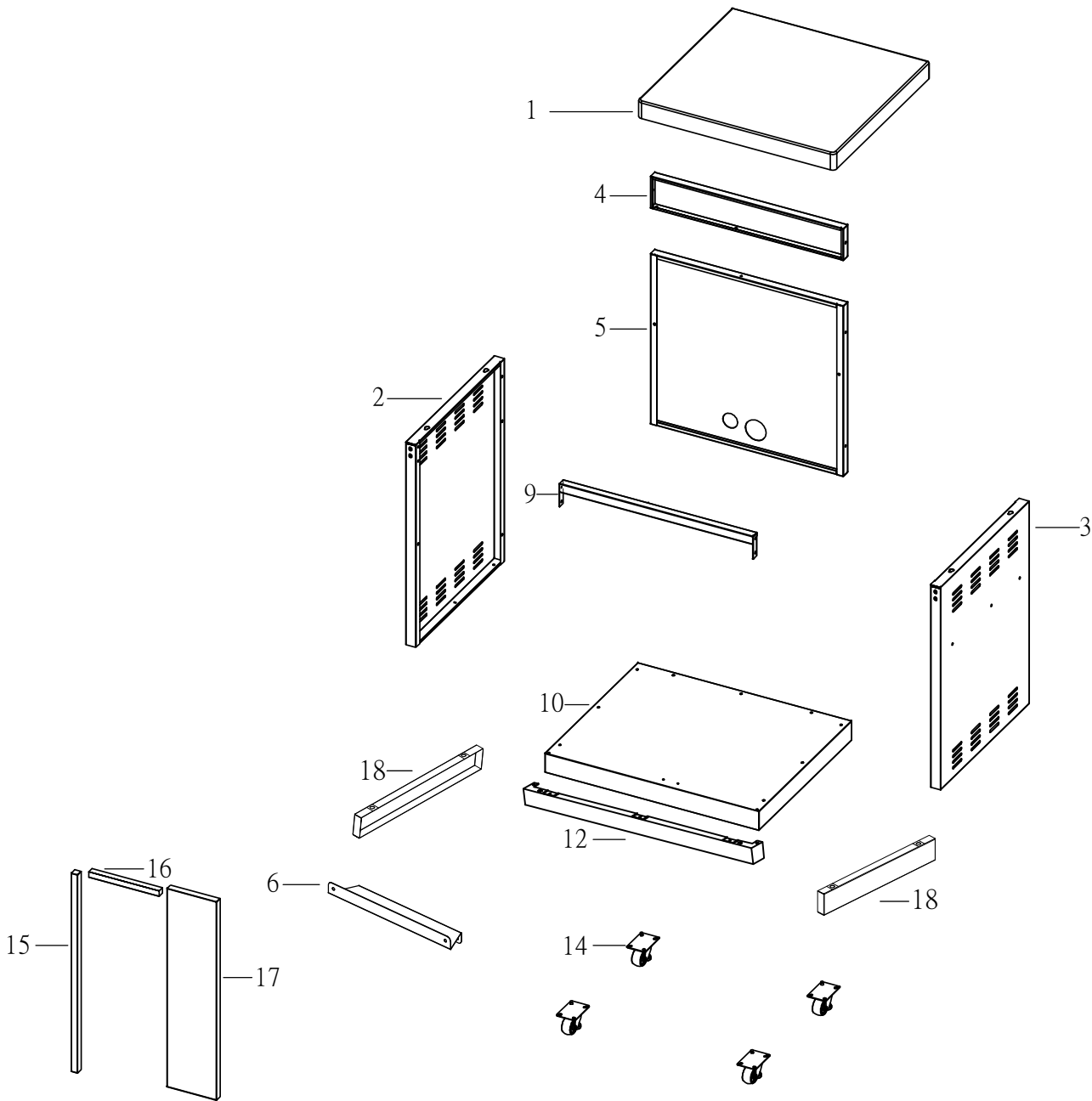
**Parts list for C4B BBQ Cabinet**

KEY	DESCRIPTION	PART#	QTY
1	Middle Cabinet Panel,Top	S0218-16	1
2	Rear Bracket	S0218-35	2
3	Front Bracket	S0218-36	2
4	Cart Rear Panel	S0218-15	1
5	Cabinet Panel,Left	S0218-14A	1
6	Cabinet Panel,Right	S0218-14B	1
7	Bottom Panel	S0218-13Z	1
8	Cabinet Door,Left	S0218-18A	1
9	Cabinet Door,Right	S0218-18B	1
10	Magnet	S0167-43	2
11	Kickboard	S0218-33C	1
12	Casters	S0218-20	4
13	Door hinge bracket,Left	S0218-27A	1
14	Door hinge bracket,Right	S0218-27B	1
15	Door Bracket	S0219-41	1

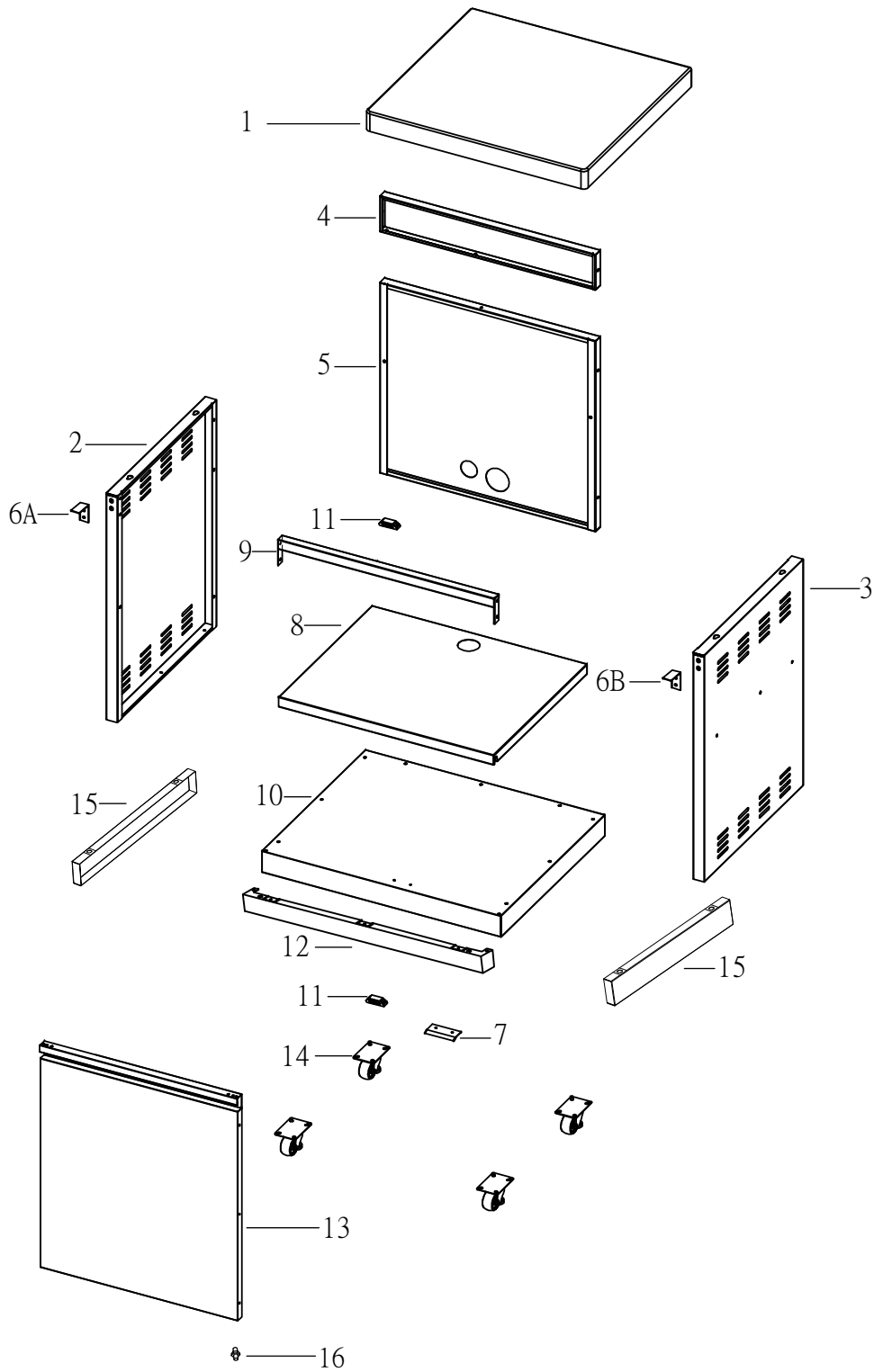
**Parts list for TCE22-BBQCAB Cabinet**

KEY	DESCRIPTION	PART#	QTY
1	Door Bracket	S0218-79	1
2	Door Hinge Bracket,Left	S0218-27A	1
3	Door Hinge Bracket,Right	S0218-27B	1
4	Cart Rear Panel	S0218-72	1
5	Cabinet Panel,Left	S0218-71A	1
6	Cabinet Panel,Right	S0218-71B	1
7	Bottom Panel	S0218-70Z	1
8	Cabinet Door,Left	S0218-73A	1
9	Cabinet Door,Right	S0218-73B	1
10	Magnet	S0167-43	2
11	Kickboard	S0218-77	1
12	Casters	S0218-20	4
15	Rear Decoration Panel	S0218-78	1
16	Door Bracket	S0219-41	1

Parts Diagram for Square Cabinet W/ Fridge



Parts Diagram for Square Cabinet



*Parts Diagram for Square Cabinet W/ Fridge*

KEY	DESCRIPTION	PART#	QTY
1	Cabinet Panel,TOP	S0235-12	1
2	Cabinet Panel,Left	S0235-02	1
3	Cabinet Panel,Right	S0235-02	1
4	Cabinet Panel,Rear Top	S0235-03	1
5	Cabinet Panel,Rear Bottom	S0235-04	1
6	Fridge bracket	S0218-46	1
9	Door Bracket	S0235-05	1
10	Bottom Panel	S0235-01Z1	1
12	Kickboard	S0235-11	1
14	Casters	S0218-20	4
15	Fridge Frame, Left	S0235-18	1
16	Fridge Frame, Top	S0235-19	1
17	Fridge Frame, Right	S0235-17	1
18	Kickboard, Left/Right	S0235-21	2

*Parts list for Square Cabinet*

KEY	DESCRIPTION	PART#	QTY
1	Cabinet Panel, TOP	S0235-12	1
2	Cabinet Panel, Left	S0235-02	1
3	Cabinet Panel, Right	S0235-02	1
4	Cabinet Panel, Rear Top	S0235-03	1
5	Cabinet Panel, Rear Bottom	S0235-04	1
6A	Door Hinge Bracket, Left	S0235-17A	1
6B	Door Hinge Bracket, Right	S0235-17B	1
7	Door Bracket	S0219-41	1
8	Middle Panel	S0235-09	1
9	Door Bracket	S0235-05	1
10	Bottom Panel	S0235-01Z1	1
11	Magnet	S0167-43	2
12	Kickboard	S0235-11	1
13	Cabinet Door	S0235-06Z1	1
14	Casters	S0218-20	4
15	Kickboard, Left/Right	S0235-21	2
16	Front Door Hinge	S0146-213	1

# ALFRESCO CHECKLIST FOR NATURAL GAS BBQ

Currently for residential premises, barbecues are certified under a domestic appliance standard and classified as outdoor appliances. Once they are moved to an 'enclosed' alfresco area, they must be re-certified for indoor use. The following checklist is a guide indicating the basic steps for re-certification.

1. **Does the Alfresco area have sufficient natural ventilation?**  Yes  No  
See information below this checklist for natural ventilation requirements.  
If Yes, an outdoor domestic BBQ may be used.  
If no, all below additional requirements must be satisfied.

If you answered 'No' to item 1, the Alfresco is considered to be Enclosed. And the following requirements must be satisfied.

2. BBQ to be re-certified for use as commercial catering equipment at residential premises.\*  Complete
3. Appliance installation to be compliant for mechanical ventilation. Requires range hood / extraction fan\*  Complete
4. Installation requires interlock mechanism  
Ensuring that the extraction fan automatically turns on when BBQ is being used.\*  Complete

**Note:** for a BBQ to be re-certified for use in an enclosed alfresco, it must meet set criteria:

- Robust manufacture
- Flame failure system
- Rigidly fitted at Installation (hoses not allowed)
- Readily accessible isolation valve
- BBQ installed on a non-combustible surface

If items 2 to 4 are complete and compliant with relevant standards, the recertified BBQ may be used in the enclosed alfresco.

\*See over page for additional information

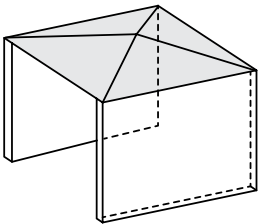
## NATURAL VENTILATION REQUIREMENTS –

### When is an Alfresco considered 'outdoors'?

A covered Alfresco area is considered outdoors when it is an open-air situation with natural ventilation.

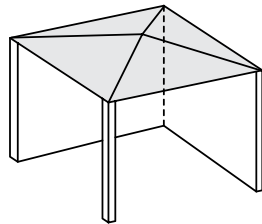
- If the Alfresco meets the below minimum requirements, it is considered that natural ventilation is provided and an outdoor domestic BBQ may be used.
- If the Alfresco does not meet the below minimum requirements, it is considered an enclosed Alfresco and additional requirements must be satisfied.
- For additional information, see Energy Safety publication – "Safe locations for using barbecues and gas patio heaters".

#### Compliant examples:



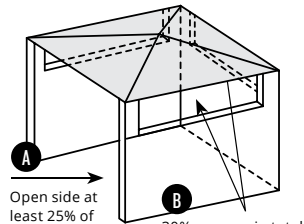
#### Not more than:

- Two parallel walls with a covered roof.



#### Not more than:

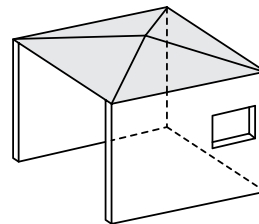
- Two walls at right angles with a covered roof.



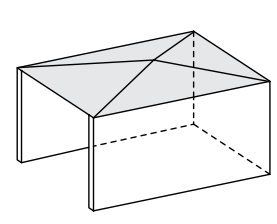
#### Not more than:

- Three walls, with the one open side being at least 25% of the total perimeter (A).
- The remaining three walls having an area of 30% or more of unrestricted opening (B).

#### Non-compliant examples:



- Remaining 3 walls do not have 30% or more of unrestricted opening.



- Open side is less than 25% of the total perimeter.

Note: the above applies to a fully detached alfresco and/or an alfresco sharing a house wall.



## ADDITIONAL INFORMATION:

### 🔥 BBQ to be re-certified:

- Re-certification must be undertaken by an approved Type A Gas Appliance Inspector
- See list of Independent Inspectors on Energy Safety website <https://www.commerce.wa.gov.au/energysafety/type-gas-appliances>
- Some outdoor BBQs already have a flame failure system fitted which makes re-testing and certification to AS4563 simpler and cheaper. Having a flame failure system retrofitted is costly and the appliance will still need to be tested and approved

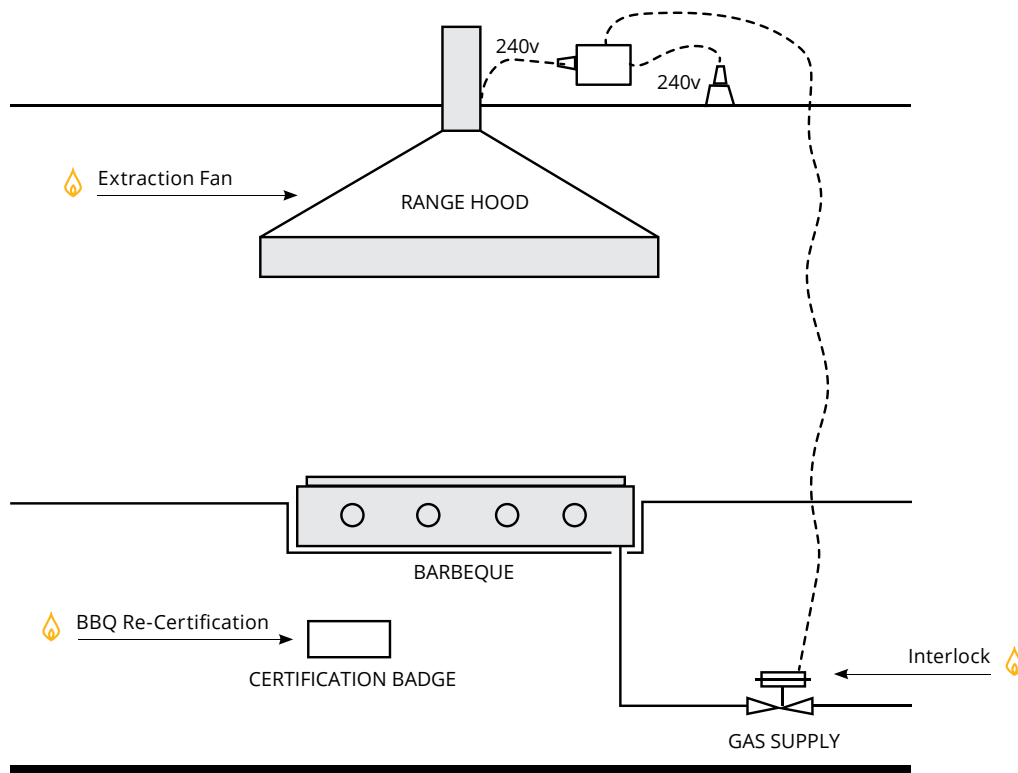
**Note:** the inspector who re-certifies the appliance must be independent and cannot also undertake any of the other installation work (appliance, ventilation or interlock).

### 🔥 Extraction Fan:

- A commercial style range hood/extraction canopy must be fitted above the appliance to provide adequate ventilation as Standard AS/NZS 5601 dictates.
- The extraction fan filter must not be closer than 1,200mm to the cooking surface.
- The fan must move at least 2,000m<sup>3</sup> of air per hour. ATCO recommends the use of a 2 motor fan to achieve this flow rate.
- Not only will the fan remove any harmful products of combustion, but it will also stop grease and smoke from damaging the alfresco walls and ceiling.

### 🔥 Interlock to be installed:

- The re-certification process means that the appliance is now considered a 'commercial' appliance – for domestic use. This requires the appliance to have an interlock installed, so that the extraction fan is operating before gas will flow to the appliance. Ref: AS/NZS 5601.1:2013 Clause 6.10.1.15



Please also see Energy Safety publication – "Safe locations for using barbecues and gas patio heaters".  
And contact ATCO for further advice if required. 13 13 56



Thermofilm Australia Pty Ltd  
8 Lakeview Drive, Scoresby, Victoria 3179  
t: 03 9562 3455 e:sales@thermofilm.com.au

PK000692024BE Printed 09/2024